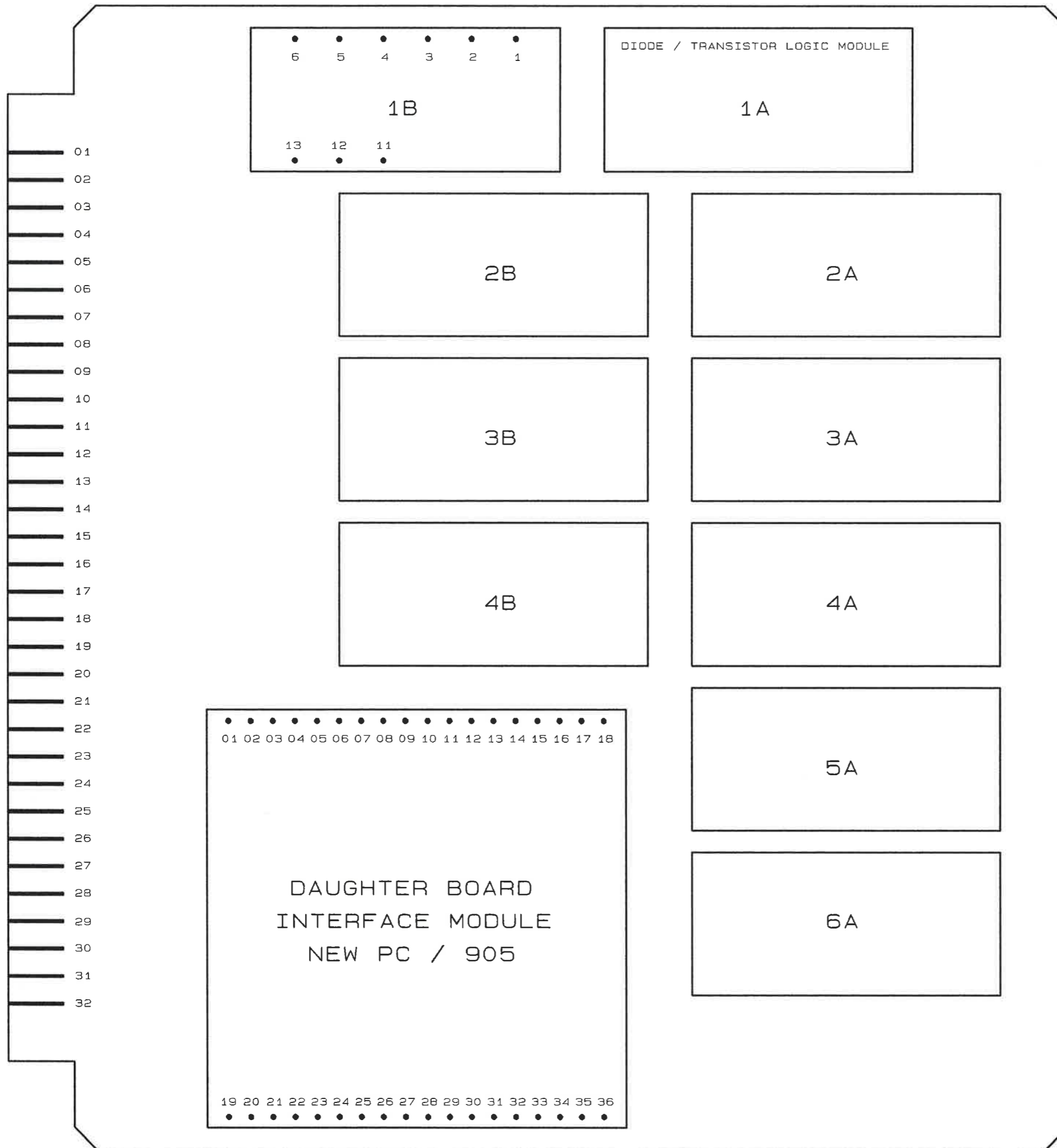


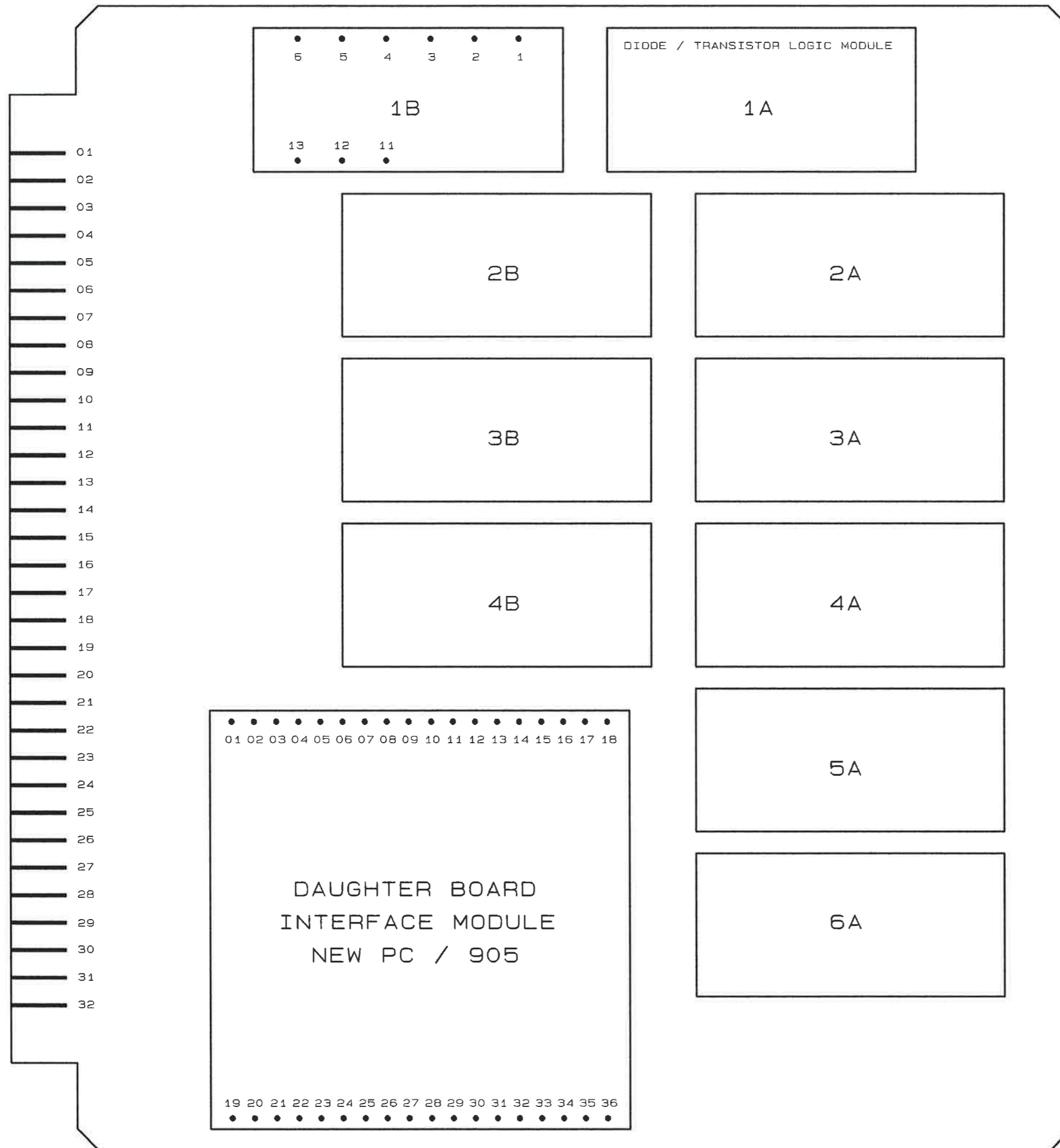
BOARD DP01 POSITION 14
(COMPONENT SIDE)



FILE NO. SES94.C05

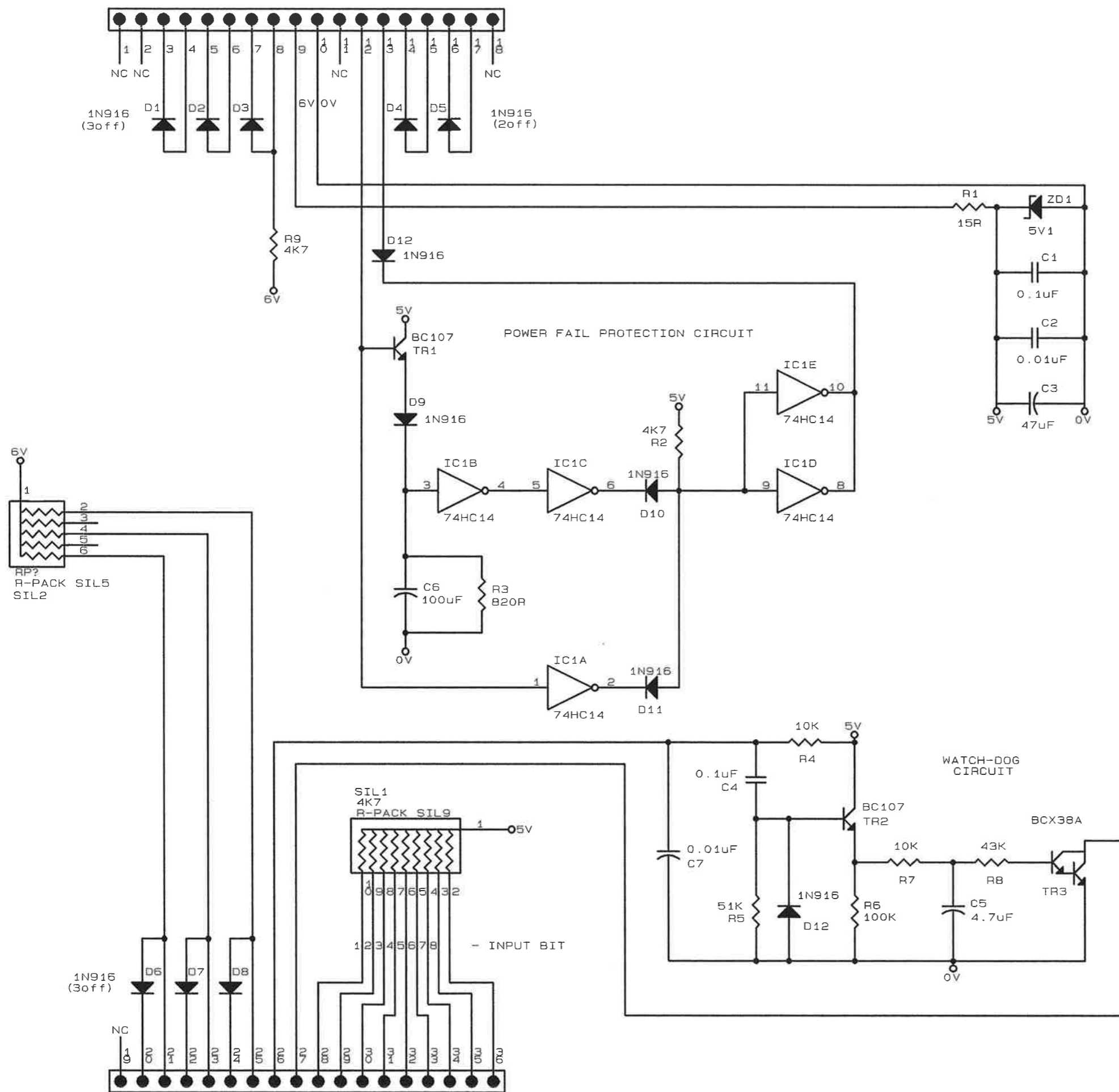
SYSTEMS ENGINEERING - GLASGOW		
SIGNALLING CONTROL UK - NORTHERN GROUP		
BUCHANAN BUILDINGS		
58 PORT DUNDAS ROAD		
GLASGOW G4 0HG		
Title	PC/905 DAUGHTER BOARD I/F MODULE	
Size	Document Number	REV
B	SES94/3-B	1
Date:	October 18, 1995	Sheet 1 of 1

BOARD DPO1 POSITION 14
(COMPONENT SIDE)



FILE NO. SES94.C05

SYSTEMS ENGINEERING - GLASGOW		
SIGNALLING CONTROL UK - NORTHERN GROUP		
BUCHANAN BUILDINGS		
58 PORT DUNDAS ROAD		
GLASGOW G4 0HG		
Title	PC/905 DAUGHTER BOARD I/F MODULE	
Size	Document Number	REV
B	SES94/3-8	1
Date:	October 19, 1995	Sheet 2 of 3



NOTE : IC1 PIN 7 = 0V
IC1 PIN 14 = 5V

FILE NO. SES94.C10

SYSTEMS ENGINEERING - GLASGOW		
SIGNALLING CONTROL UK - NORTHERN GROUP		
BUCHANAN BUILDINGS		
58 PORT DUNDAS ROAD		
GLASGOW G4 0HG		
Title PC/905 DAUGHTER BOARD I/F MODULE		
Size	Document Number	REV
B	SES94/3-9	1
Date:	October 18, 1995	Sheet 1 of 1