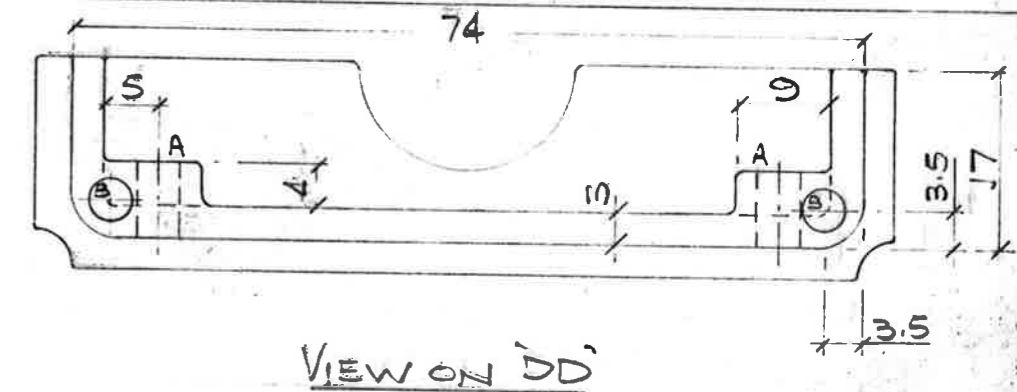
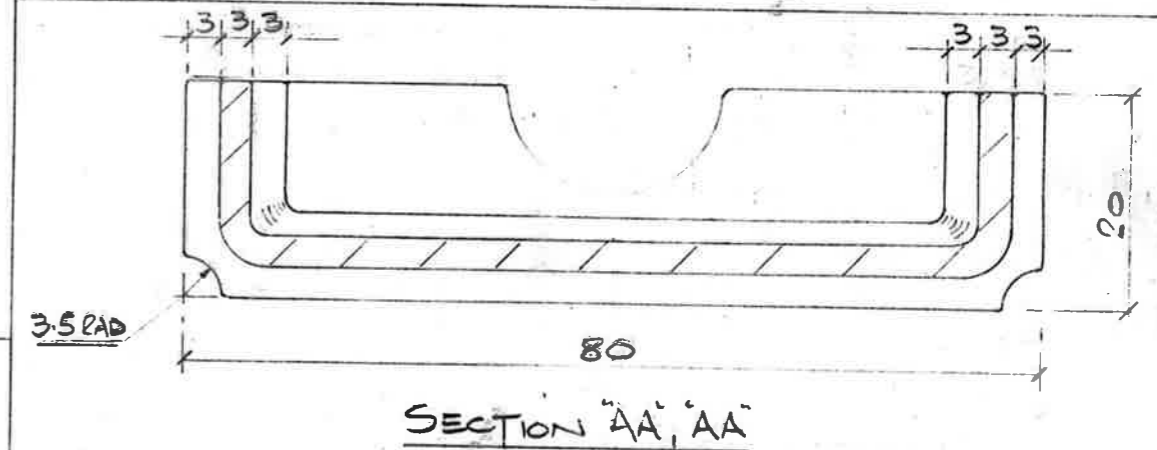
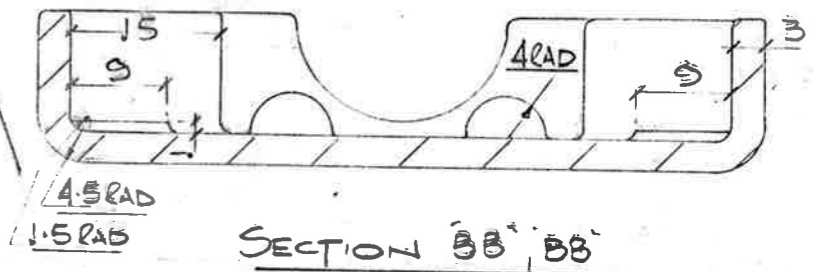


NOTE: THESE RADII TO BE ALTERED TO SUIT 4 DIA HOLE IF NOT ENOUGH CLEARANCE ALLOWED



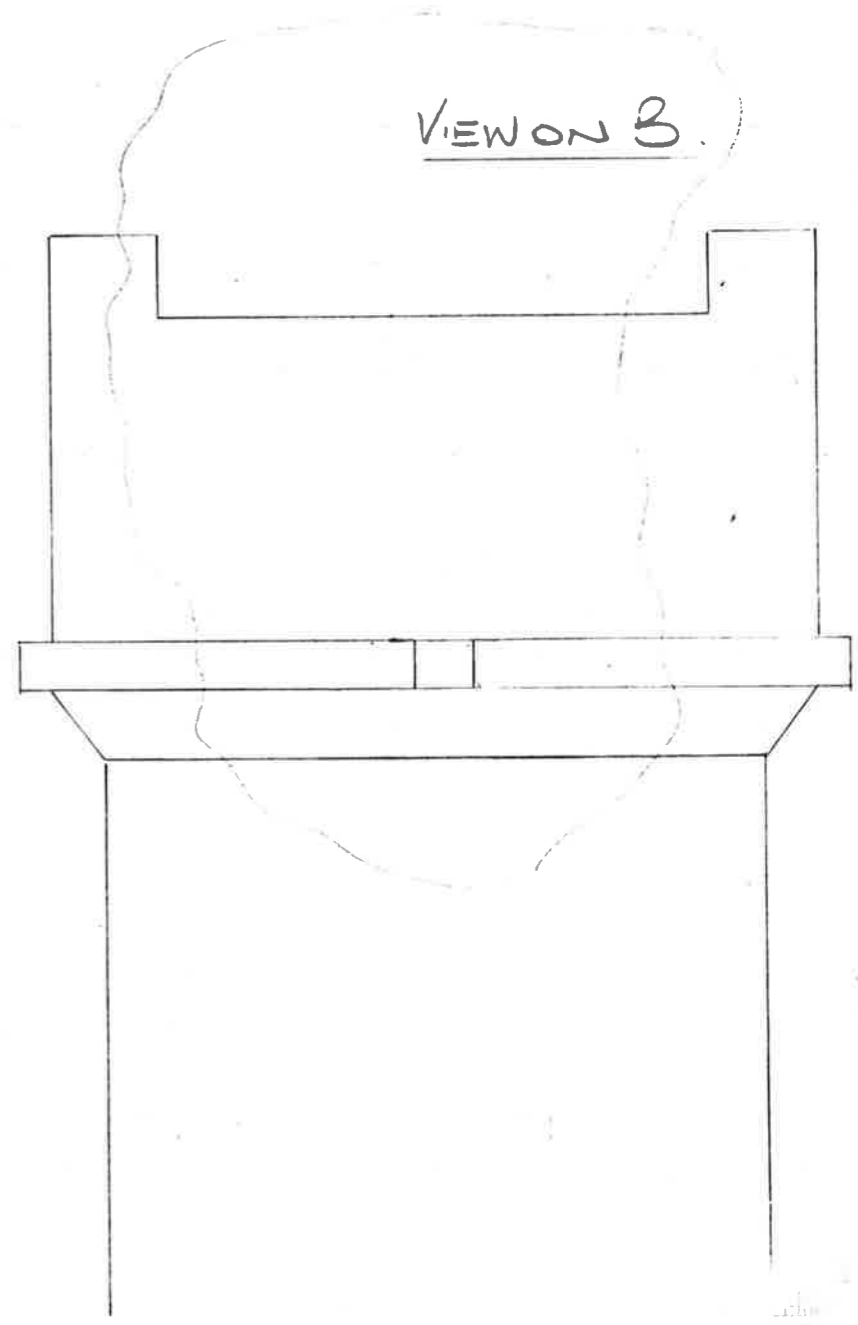
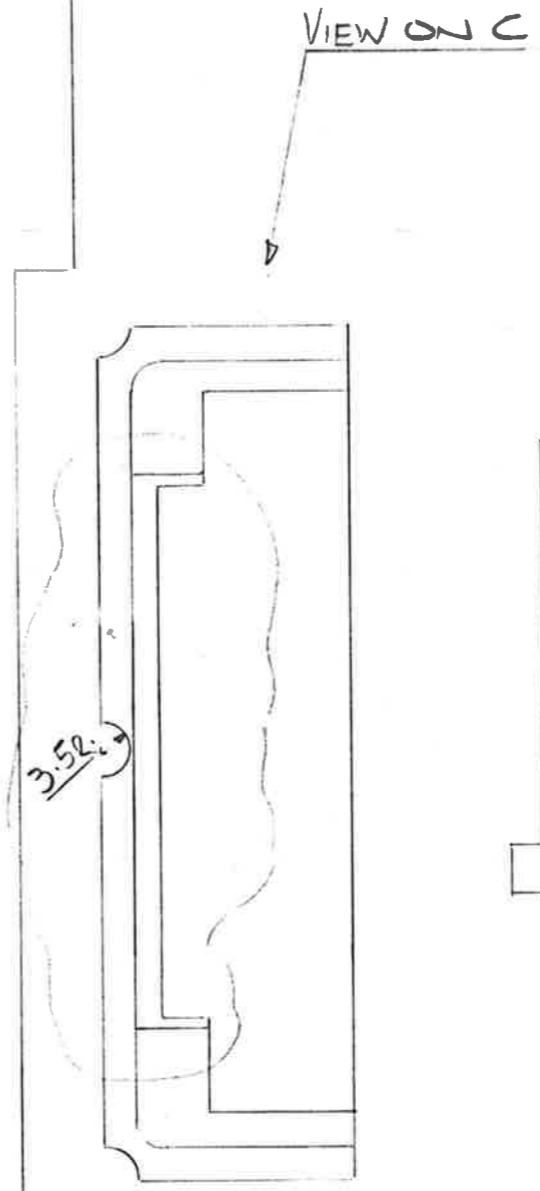
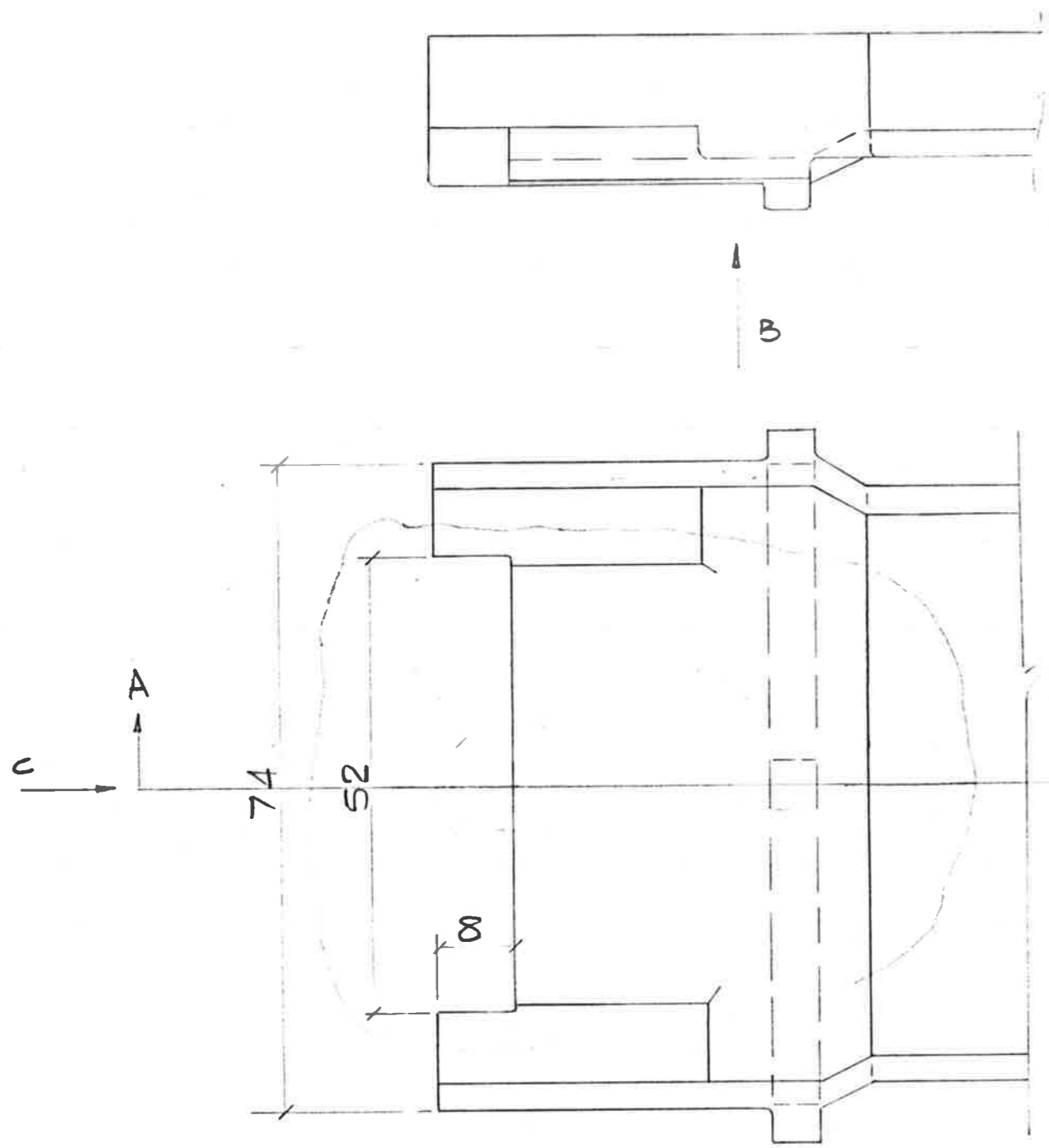
NOTE: - NO CASTING ALLOWANCE SHOWN ON DRAWING; ALL RADII! UNO.

HOLE DESCRIPTION		REVISIONS :-
A :- HOLE TO FIT 'M3' SLEEVE x 7 LONG		
B :- " " " " x 8 LONG	E :- 6 DIA HOLE x 10 LONG	
C :- " " " " x 4 LONG	F :- HEXAGONAL HOLE TO FIT 'M3' NUT x 10 LONG	
D :- " " " " x 16 LONG	G :- 4 DIA HOLE x 4 LONG	

MATL :-
SCALE :- 1:1 & 2:1
DRAWN BY M.P.
CHKD BY :-

BRITISH RAILWAYS BOARD
CS & TE GLASGOW
TITLE :- 4 CHARACTER DISPLAY MODULE BOX

BRITISH RAIL
DRG NO SES 83/23/1
SHT 1 OF 1



ALL HOLE DETAILS OMITTED FOR  
CLARITY  
ONLY PART ENCIRCLED MOD.