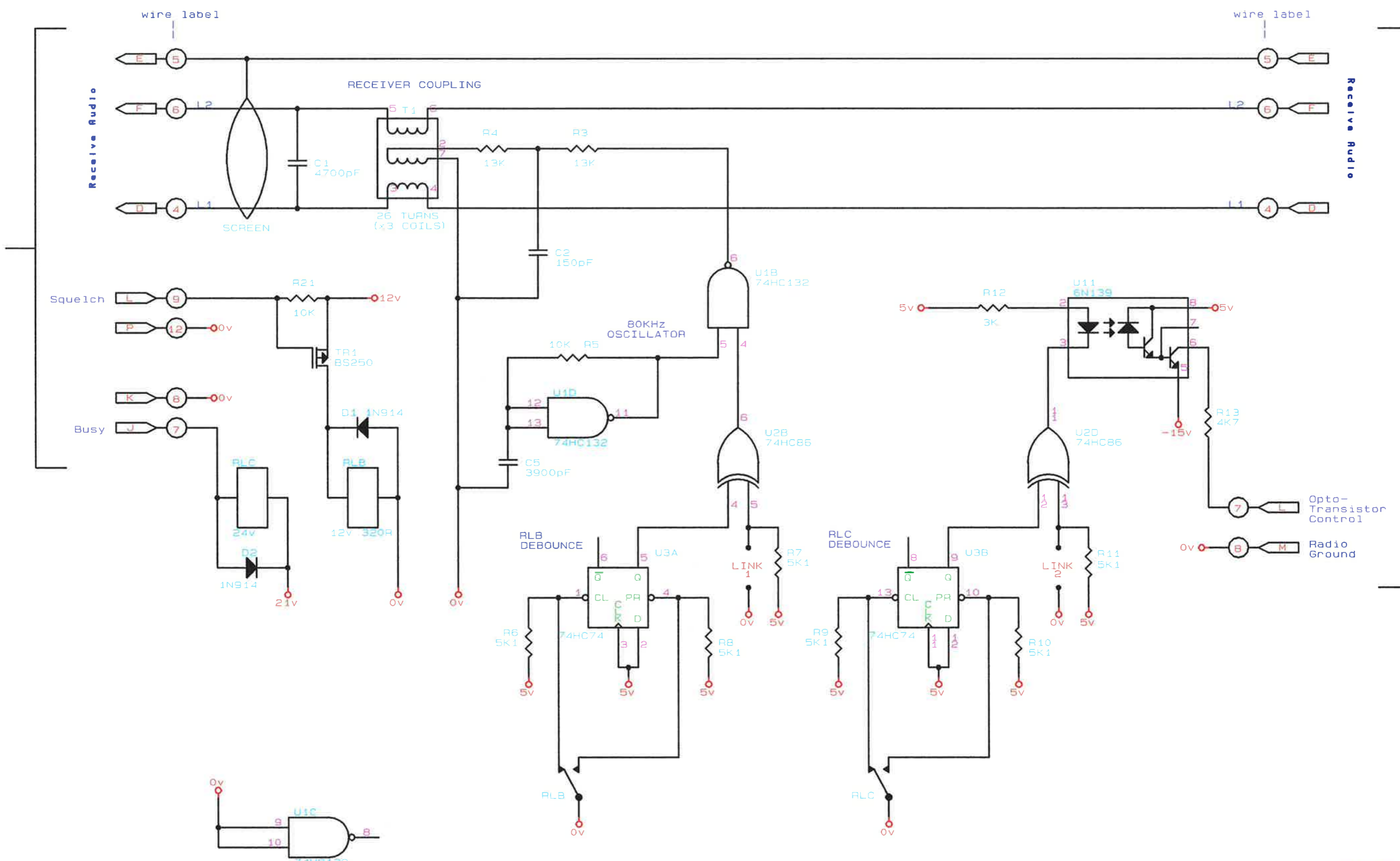


RADIO CONNECTIONS

BICU CONNECTIONS



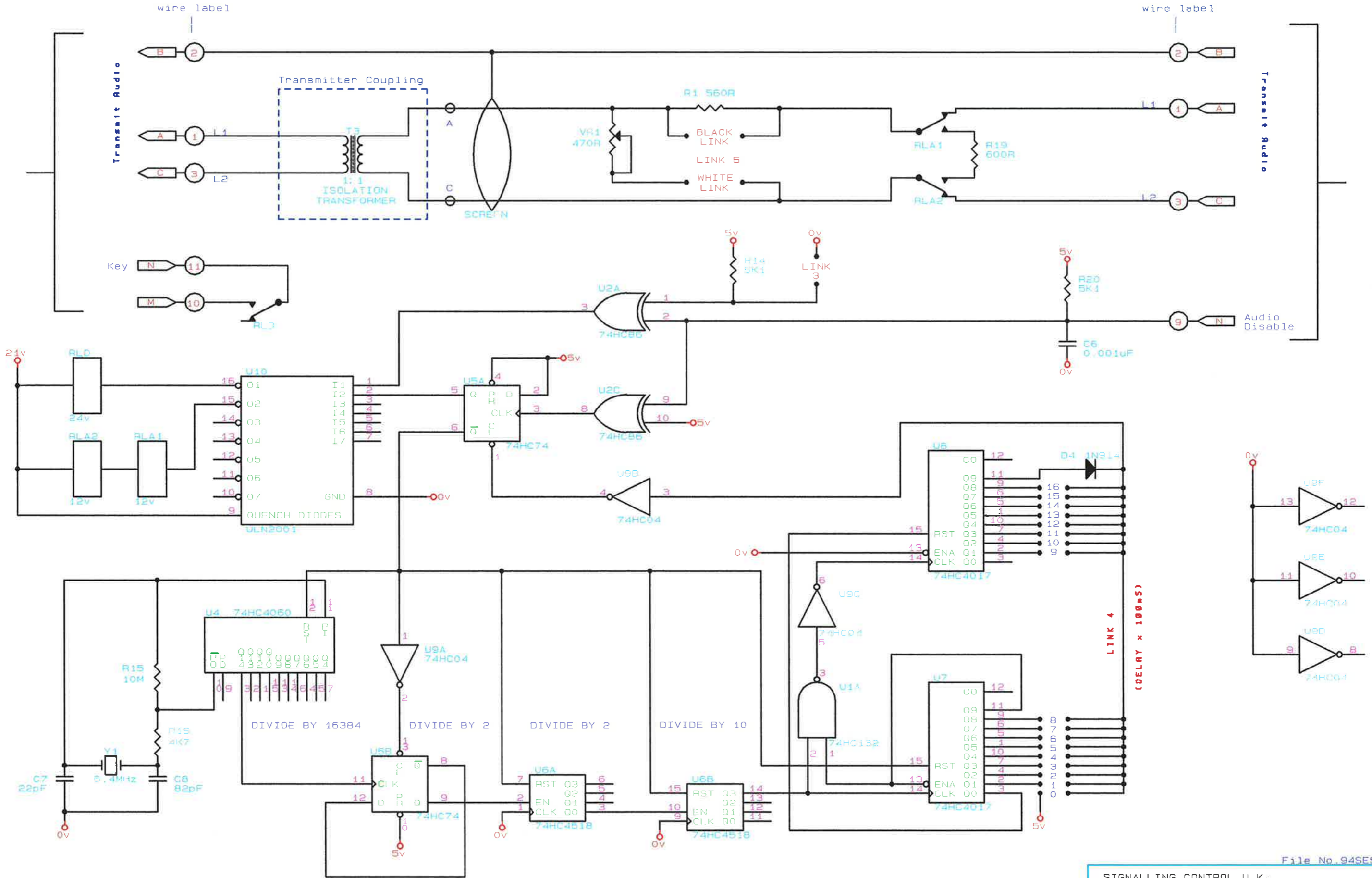
CRAIGENDORAN LINK SETTINGS : LINK 1 = CLOSED (N/O INVERT)
 LINK 2 = CLOSED (N/O INVERT)

File No. 94SES2.003

SIGNALLING CONTROL U.K.		
GLASGOW PROJECTS GROUP - SYSTEMS SECTION		
BUCHANAN BUILDINGS		
58 PORT DUNDAS ROAD		
GLASGOW G4 0HG		
Title		
BICU INTERFACE CIRCUIT (PART 1 OF 2)		
Size	Document Number	REV
B	94SES2.003	1
Date:	December 1, 1994	Sheet 3 of 4

RADIO CONNECTIONS

BICU CONNECTIONS



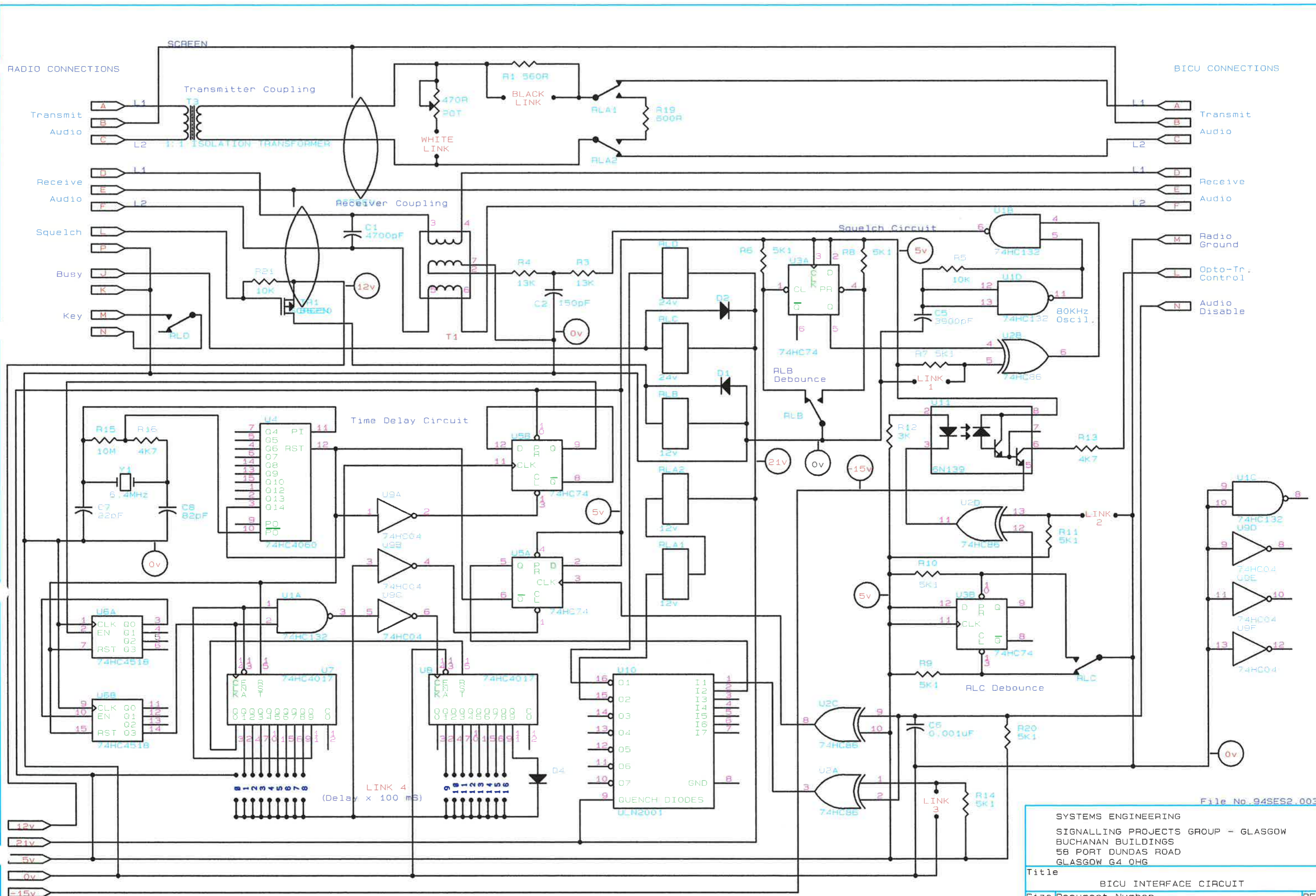
R2 NOT ALLOCATED

CRAIGENDORAN LINK SETTINGS : LINK 3 - OPEN (N/O INVERT)
 LINK 4 - AS REQUIRED (800ms NOMINALLY)
 LINK 5 - BLACK = CONTROL = OPEN
 WHITE = RADIO = CLOSED

File No. 94SES2.004

SIGNALLING CONTROL U.K.,
 GLASGOW PROJECTS GROUP - SYSTEMS SECTION
 BUCHANAN BUILDINGS
 58 PORT DUNDAS ROAD
 GLASGOW G4 0HG

Title		BICU INTERFACE CIRCUIT (PART 2 OF 2)
Size	Document Number	REV
B	94SES2.003	1
Date:	December 12, 1994	Sheet 4 of 4



File No. 94SES2.003

SYSTEMS ENGINEERING
 SIGNALLING PROJECTS GROUP - GLASGOW
 BUCHANAN BUILDINGS
 58 PORT DUNDAS ROAD
 GLASGOW G4 0HG

Title		BICU INTERFACE CIRCUIT	
Size	Document Number	REV	
B	94SES2.003	1	
Date:	November 11, 1994	Sheet	3 of 3