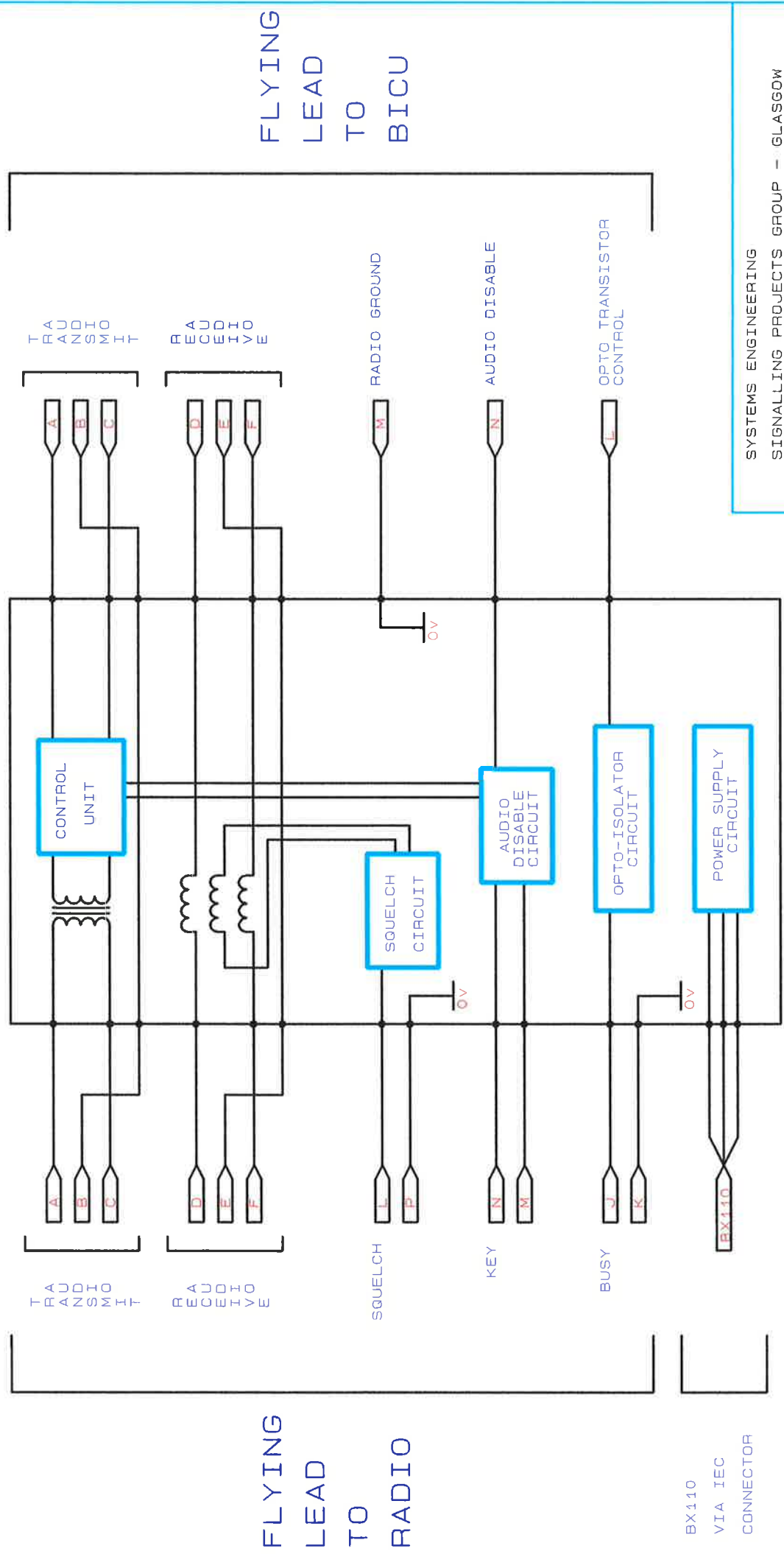


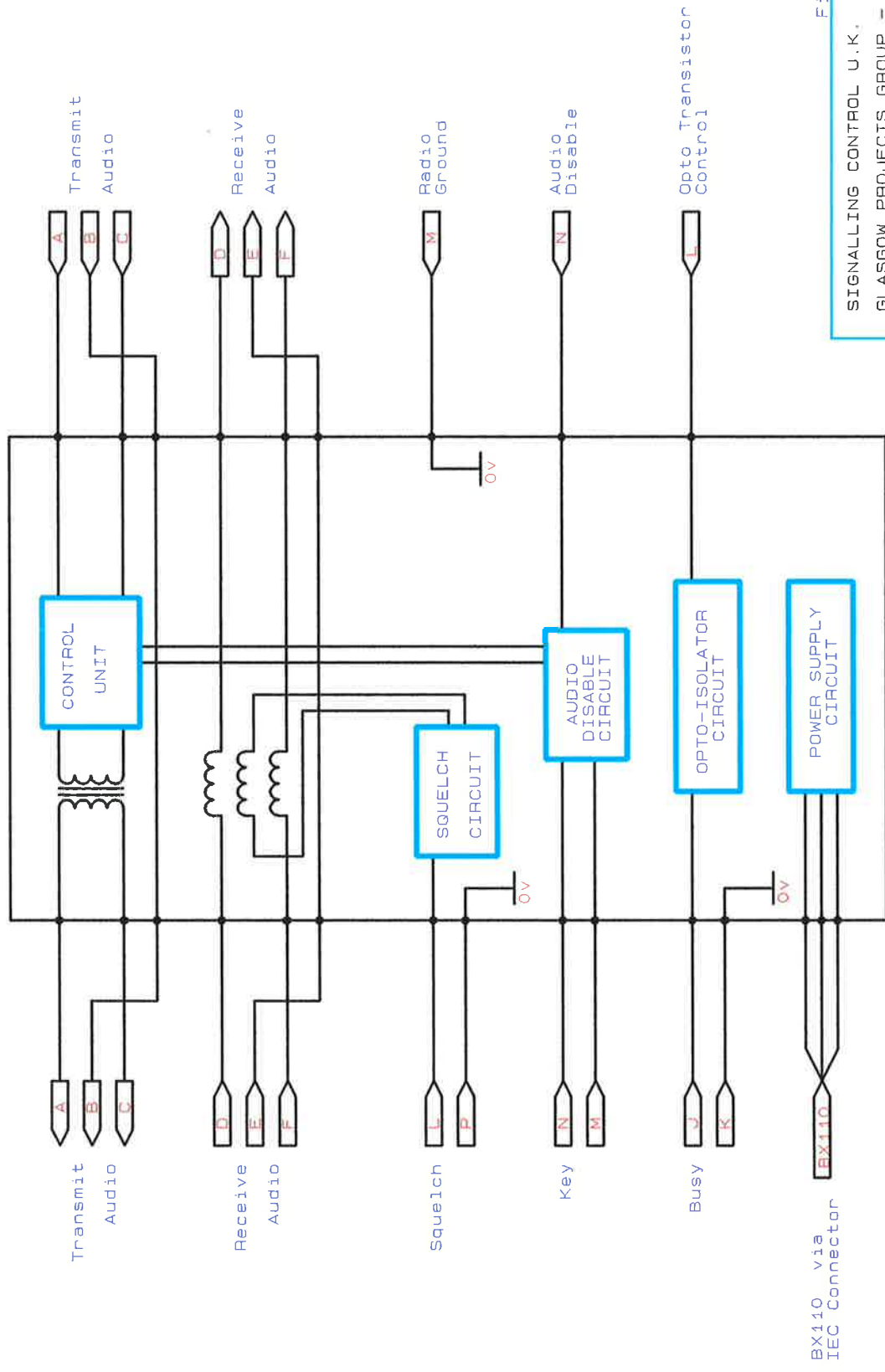
BICU INTERFACE BLOCK DIAGRAM



SYSTEMS ENGINEERING	
SIGNALLING PROJECTS GROUP - GLASGOW	
BUCHANAN BUILDINGS	
58 PORT DUNDAS ROAD	
GLASGOW G4 0HG	
Title BICU INTERFACE	
Size	Document Number
A	94SES2.001
Date:	November 10, 1994
Sheet	1 of 3
REV	1

RADIO CONNECTIONS

BICU CONNECTIONS



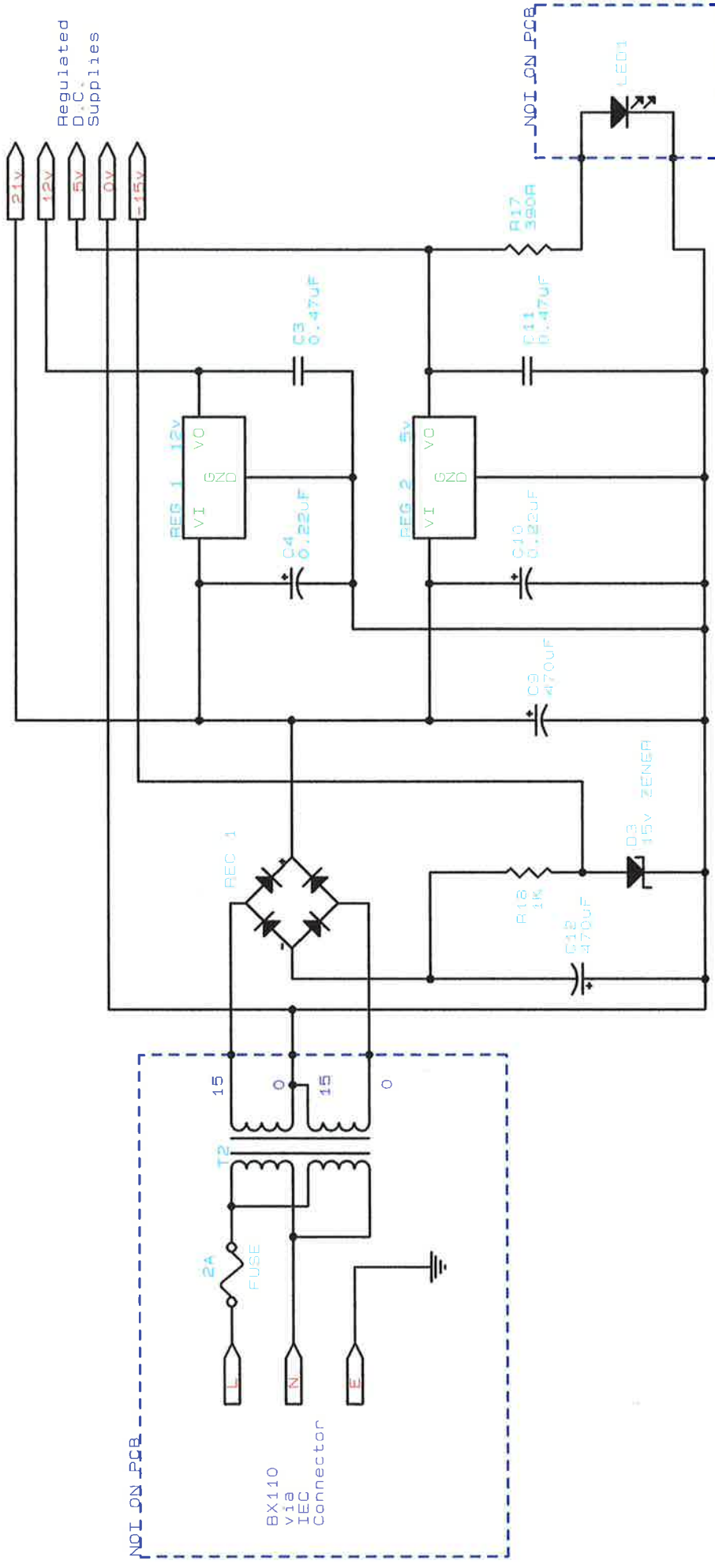
File No. 94SES2.001

SIGNALLING CONTROL U.K.
 GLASGOW PROJECTS GROUP - SYSTEMS SECTION
 BUCHANAN BUILDINGS
 58 PORT DUNDAS ROAD
 GLASGOW G4 0HG

Title: BICU INTERFACE BLOCK DIAGRAM

Size	Document Number	REV
A	94SES2.001	1

Date: November 15, 1994 Sheet 1 of 4



File No. 94SES2.002

SIGNALLING CONTROL U.K.
 GLASGOW PROJECTS GROUP - SYSTEMS SECTION
 BUCHANAN BUILDINGS
 58 PORT DUNDAS ROAD
 GLASGOW G4 0HG

Title BICU INTERFACE POWER SUPPLY

Size Document Number A 94SES2.002

REV 1