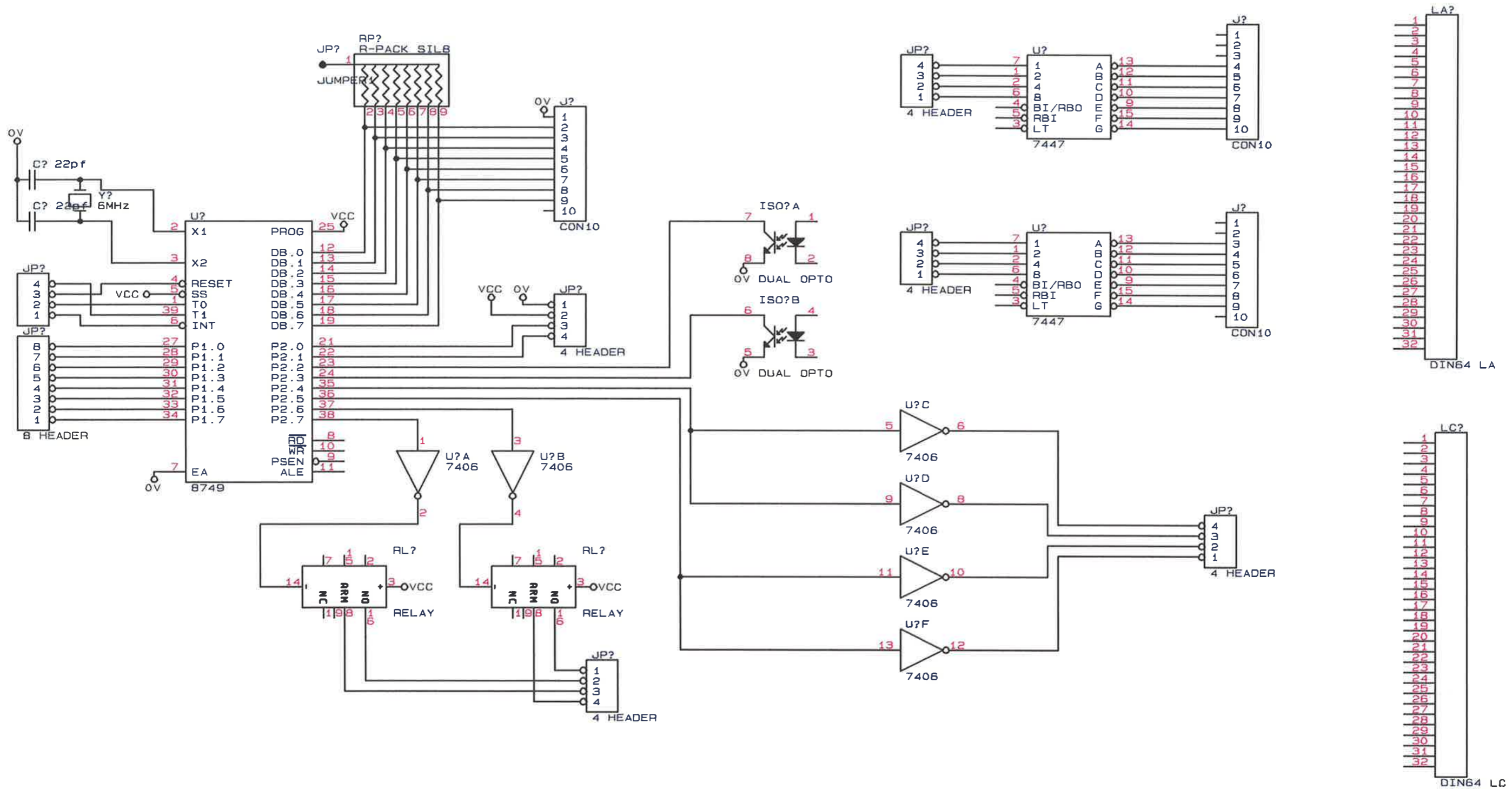


FILE No. 93SES2

SYSTEMS ENGINEERING
 SIGNALLING PROJECTS GROUP - GLASGOW
 BUCHANAN BUILDINGS
 58 PORT DUNDAS ROAD
 GLASGOW G4 0HG

Size B	Document Number 93SES2	Rev
Date: Wednesday, November 01, 2006	Sheet 1 of 1	



TITLE!

CLAUDS BOX

FILE No. 93SES2

SYSTEMS ENGINEERING		
SIGNALLING PROJECTS GROUP - GLASGOW		
BUCHANAN BUILDINGS		
58 PORT DUNDAS ROAD		
GLASGOW G4 0HG		
Size	Document Number	REV
B	93SES2	
Date:	October 25, 1993	Sheet 1 of 1