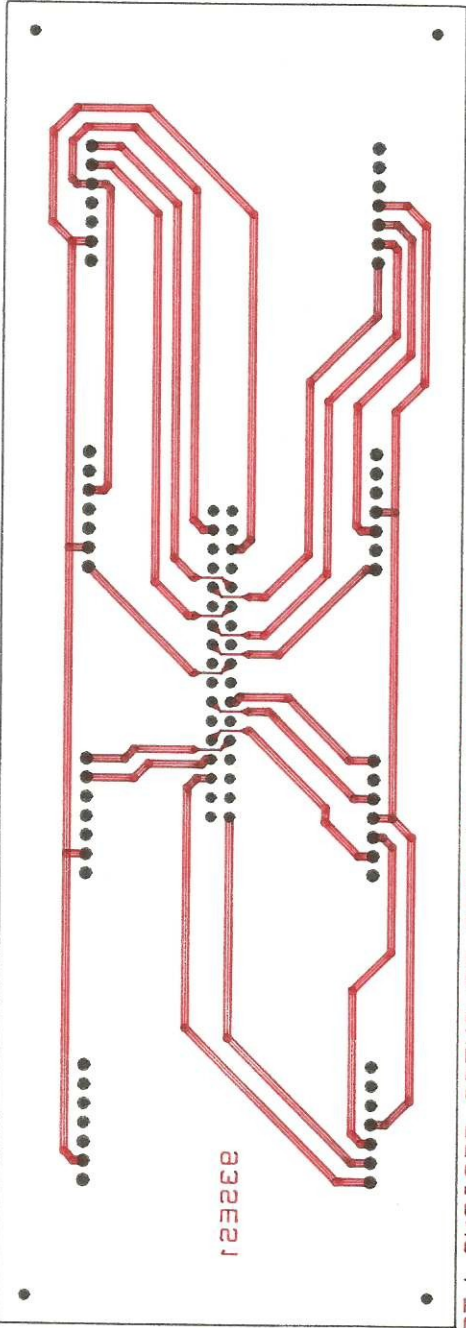


J581
20-7-93

ARTWORK BY ADVANCED COMPUTER DESIGNS LTD
COMPONENT SIDE

G SMITH



1232EE

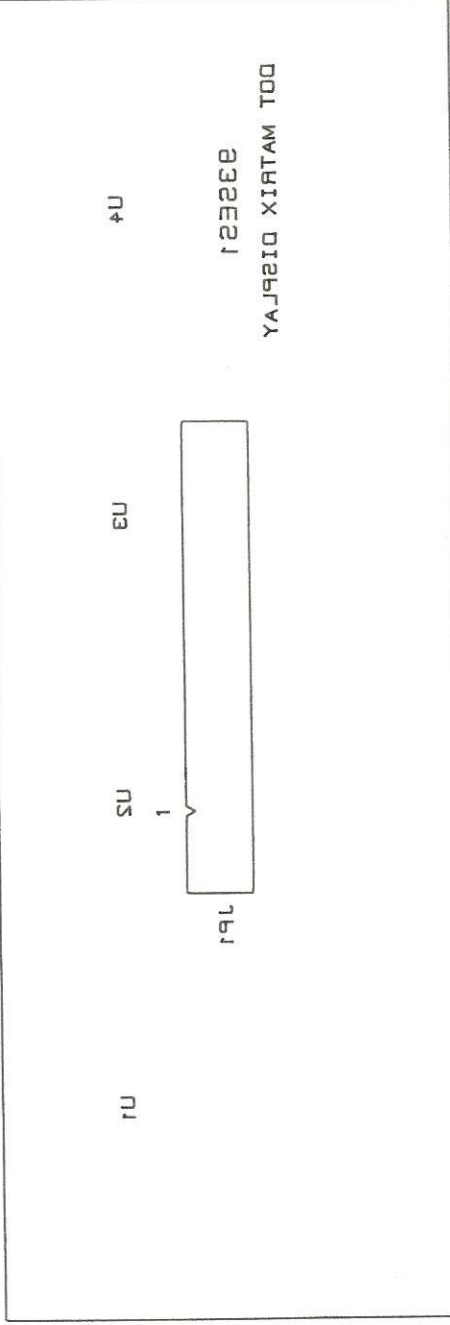
CIRCUITWORK BY ADVANCED COMPUTER DESIGNS LTD

J581

20-7-93

SOLDER SIDE

G SMITH

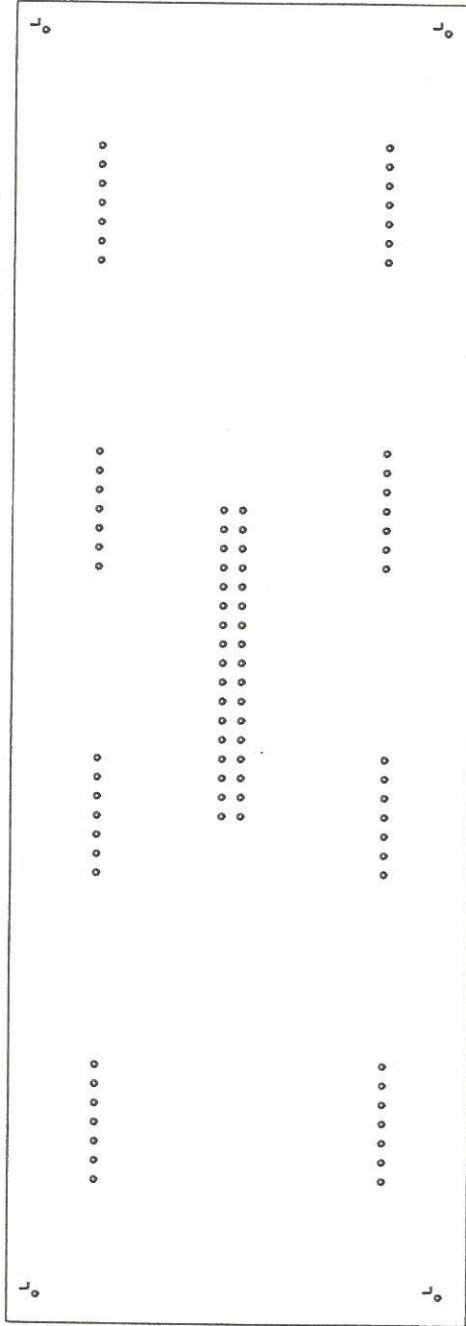


DOT MATRIX DISPLAY
SOLDER SIDE SILKSCREEN
NETWORK BY ADVANCED COMPUTER DESIGNS LTD

J581
20-7-93

G SMITH

DRILL DETAIL CODE SIZE QTY
L 2.54 4
UNREF 1.00 90 BOARD SIZE 6.9" x 2.4"



ARTWORK BY ADVANCED COMPUTER DESIGNS LTD

J581
20-7-93

G SMITH