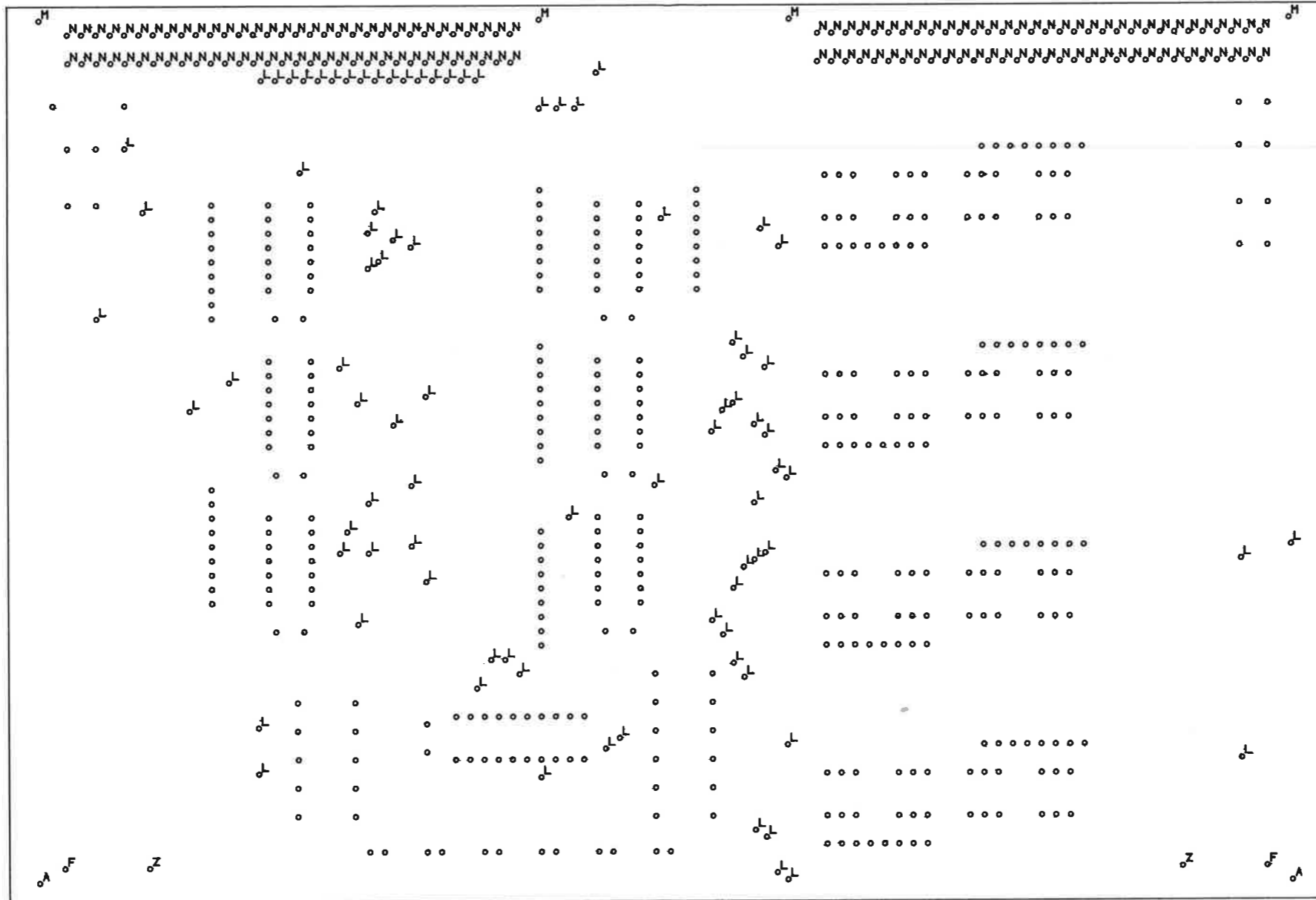


ARTWORK BY ADVANCED COMPUTER DESIGNS LTD
SILKSCREEN

G. SMITH

J299 15-1-90



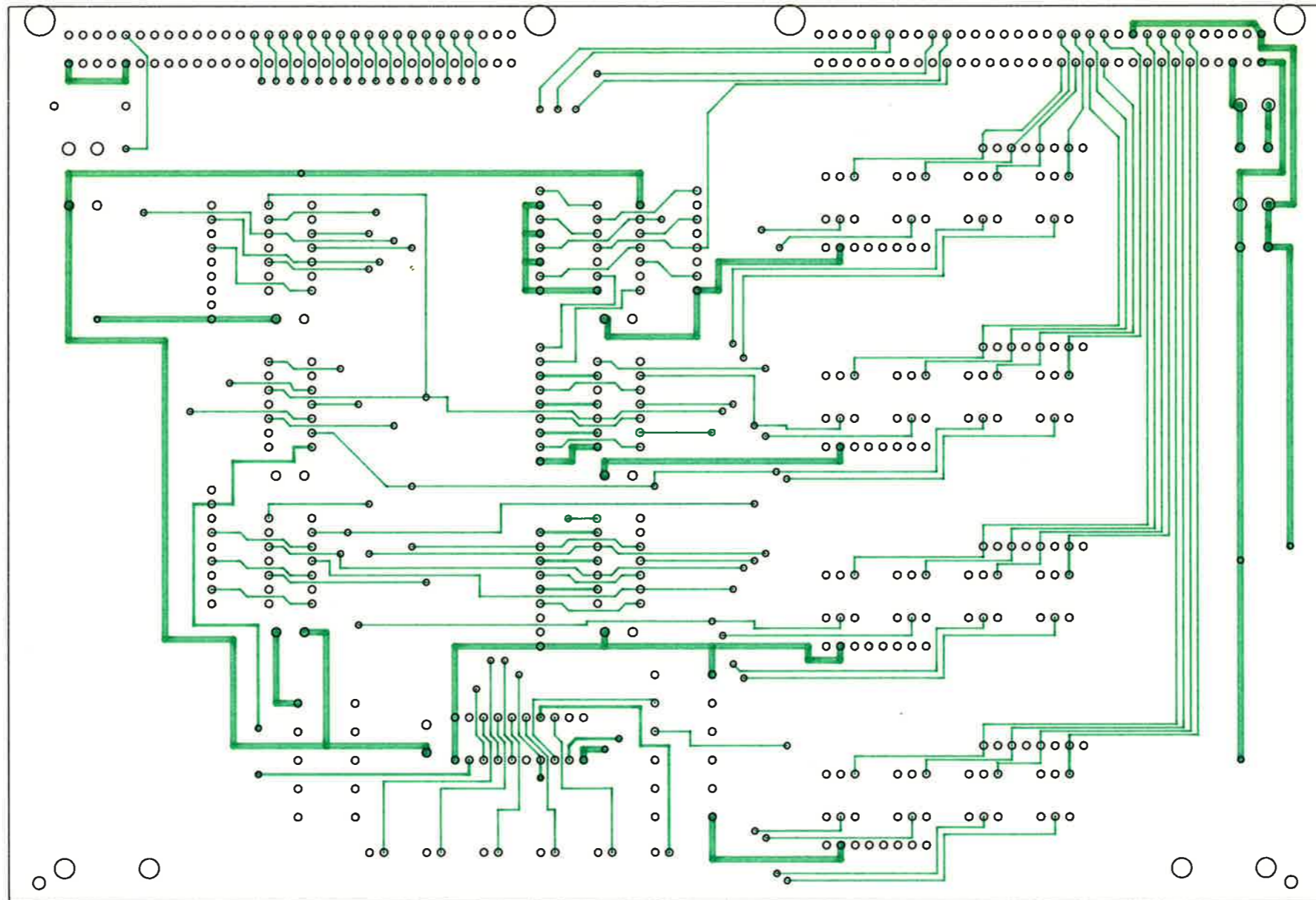
DRILL DETAIL

CODE	SIZE	QTY
L	0.7	110
N	0.9	128
A	1.5	2
F	2.6	2
M	2.8	2
Z	3.0	2
UNREF	0.8	378

ARTWORK BY ADVANCED COMPUTER DESIGNS LTD

G. SMITH

J299 15-1-90



ARTWORK BY ADVANCED COMPUTER DESIGNS LTD
COMPONENT SIDE

J299 15-1-90

G. SMITH

06-1-91 662P 207DEK SIDE
ARTWORK BY ADVANCED COMPUTER DESIGN LTD
C. SMITH

