

Circuit board-85SE55a mod1  
 Led board-85SE55b  
 LED1-Power off  
 LED2-Power on  
 LED3-Failed/local

6 Vin  
 4 Time common  
 1 R18 R19  
 2 R20 R21  
 3 R22 R23  
 7 8V  
 Connector 1

CON2 CON3  
 7 5

Connector 2  
 10 SW1  
 1 P.OFF ACK  
 9 SW2  
 8 F.L.ACK

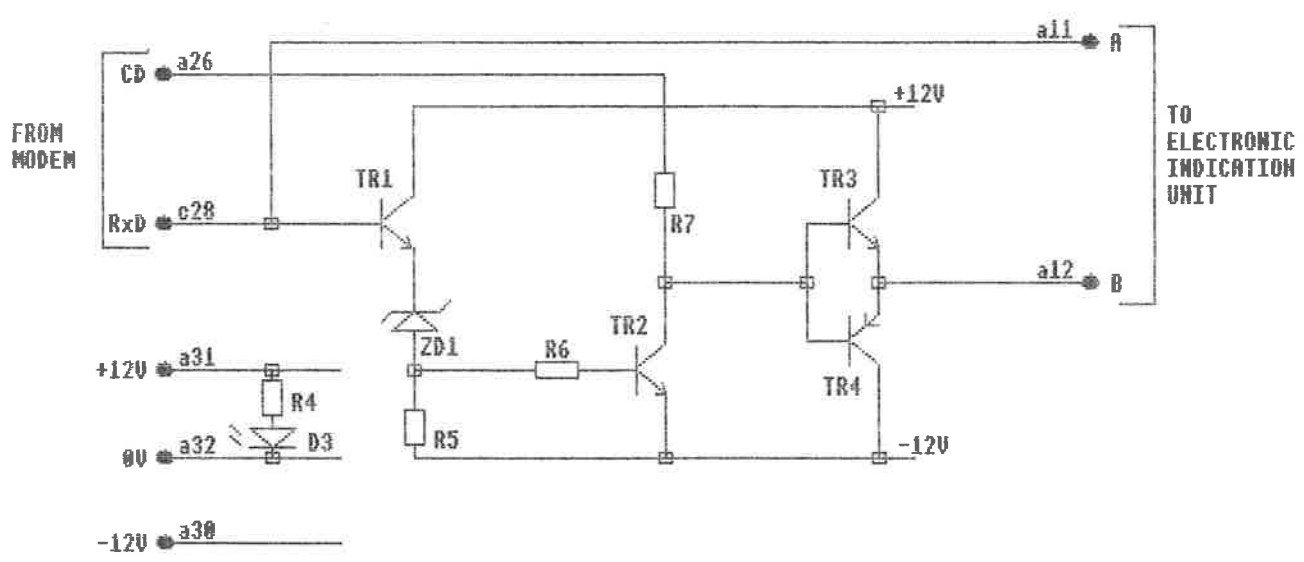
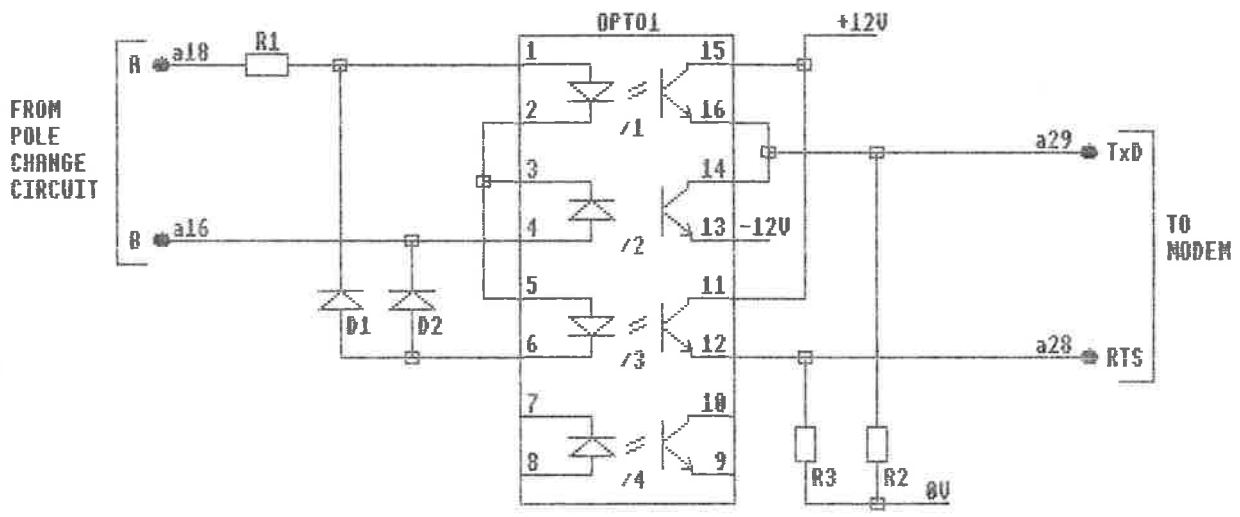
Buzzer

## ScR AHB/AOCR Electronic Indication Unit

## MATERIAL LIST MOD1

<u>COMPONENT</u>	<u>DESCRIPTION</u>	<u>MAIN SUPPLIER</u>	<u>STOCK NO.</u>	<u>QTY.</u>
OPT 1,2	ILCT 6	STC	34629H	2
REG 1	LM340T5	STC	33147H	1
B1	74HC266	STC	50503C	1
B2	74HC02	STC	58149X	1
B4	74HC08	STC	58151A	1
B3	74HC32	STC	09008E	1
B5	7406	STC	30999R	1
B6	556 TIMER	STC	99484B	1
R14,15,16	560R 0.6W	FARNELL	MRS25 560R	3
R1	4K7 0.4W	FARNELL	SFR25 4K7	1
R3	820R 0.4W	FARNELL	SFR25 820R	1
R2,4,5	2K7 0.4W	FARNELL	SFR25 2K7	3
R6,7,8,9,10,11,17	10K .4W	FARNELL	SFR25 10K	7
R12	47k 0.4W	FARNELL	SFR25 47K	1
R18 SOT	100K 0.4W	FARNELL	SFR25 100K	1
R13	470K 0.4W	FARNELL	SFR25 470K	1
R20 SOT	15M 0.25W	STC	54147B	1
R22 SOT	22M 0.25W	STC	54151X	1
CD9,10,11,12,13,14	10nF 5mm	FARNELL	143-674	6
C4	10nF 5mm	FARNELL	143-691	1
C3	220nF 5mm	FARNELL	143-682	1
C8	1uF 35V TANT	STC	91907F	1
C7	10uF 16V TANT	STC	91889X	1
C5	47uF 16V TANT	STC	91893H	1
C6	47uF 40V ELEC	STC	74690B	1
C1,2	100uF 40V ELEC	STC	74691X	2
D1,2,3	IN4004	STC	13217G	3
CONNECTOR	WAFER 10 WAY	STC	00423R	3
CONNECTOR	HOUSING 10 WAY	STC	00412D	3
CONNECTOR	CRIMP TERMINAL	STC	00591X	30
LED1,3	RED	FARNELL	HLMP3301	2
LED2	YELLOW	FARNELL	HLMP3401	1
LENS	RED	FARNELL	170-808	2
LENS	YELLOW	FARNELL	170-811	1
CABLE	RIBBON	STC	71264R	0.6M
BOLT	M4 x 12MM	FARNELL	149-518 *	4
NUT	M4	FARNELL	149-682 *	4
LOCK WASHER	M4	FARNELL	149-696 *	4
TURRET TAGS	SMALL	RS	433-573 *	12
ZENAMIC	90VAC 0.6W	FARNELL	Z15L151	1
SWITCH	ROTARY MAINS	RS	316-800	2
KNOB	COLLET KNOB	RS	498-750 *	2
BARRIER STRIP	15A STANDARD	RS	423-374	1
BARRIER STRIP	MARKER STRIP	RS	423-346 *	1
BUZZER	TWO TONE	RS	249-429	1
LED PCB	85SES5B	SES	85SES5B	1
PCB	85SES5A MOD1	ACD.	85SES5A MOD1	1
BOX	APOLLO	VEROSPEED	75-39244D	1
TRANSFERS	2.5mm WHITE	RS	508-368 *	1
LACQUER	CLEAR	RS	556-222 *	1

\* Multi item packs. See NOTES for additional components.



Material list

<u>DESCRIPTION</u>	<u>SUPPLIER</u>	<u>STOCK No.</u>	<u>QTY</u>
Card housing KM7 3U 24HP	Vero Elec.	124-30421k	1
Edge connector mounts	Vero Elec.	124-34696k	1
3U mounting kit	Vero Elec.	124-30407L	1
3U 24HP Horiz.hinged panel	Vero Elec.	174-12976F	1
KM7 taped strip	STC	17880B	1
Card guides	STC	26820X	6
Edge connector sockets 41612	STC	45532X	3
Fuse holder	STC	44214X	1
IEC mains inlet/filter	STC	58402F	1 *
IEC mains inlet	STC	73409H	1 \$
IEC mains connector right angled	STC	73413E	1
15 way 'D' type male	STC	05221D	1
15 way 'D' type female	STC	05226E	1
15 way 'D' type cover	STC	59001B	1
9 way 'D' type male	STC	05220F	1
9 way 'D' type female	STC	05225G	1
9 way 'D' type cover	STC	59000D	1
Plug contacts	STC	05230B	10
Socket contacts	STC	05231X	10
Fuse 500mA anti-surge	STC	23701F	1
1/4" spade terminals	STC	39169G	1pk
110V neon Green	Farnell	147-423	1
Green Led	STC	27699H	1
Red Led	STC	65097H	2
Led clip	STC	42094H	3
2.5mm screw 6mm	Farnell	149-461	1pk
2.5mm nut	Farnell	149-679	1pk
2.5mm lockwasher	Farnell	149-693	1pk
Wire wrap wire	STC	26207H	1rl
wire 7/0.2 red	STC	19832H	1rl
wire 7/0.2 black	STC	19825F	1rl
wire 7/0.2 green/yellow	STC	72393H	1rl
Power supply 110V +/-12V 1A	Vero Elec.	89-2671K	1 *
Power supply DC-DC +/- 12V 2A	Vero Elec.	116-44756	1 \$
Modem V21/23 single card	ATS Telemetry	248-020-012	1

\* These items are used for A.C. input

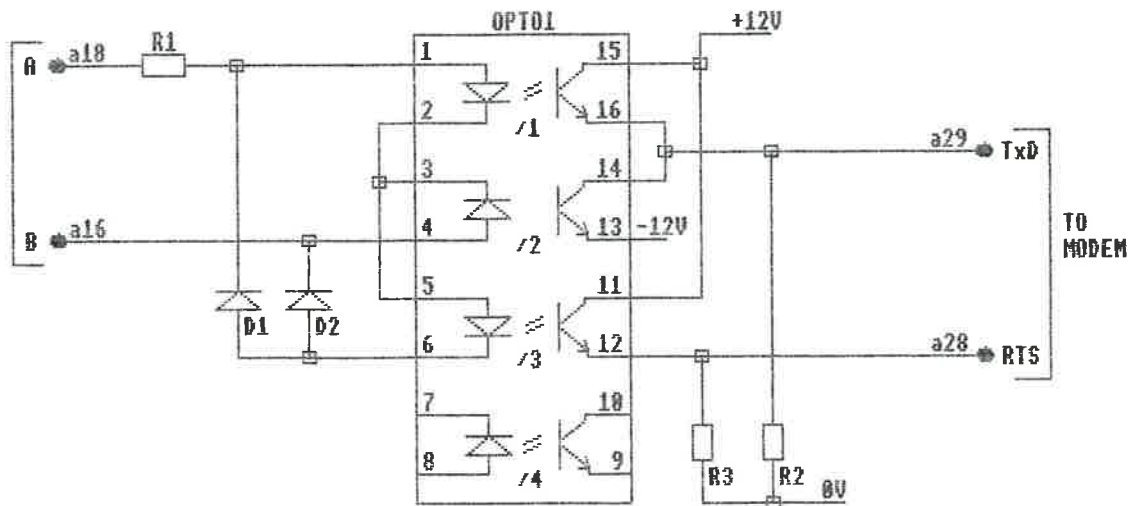
\$ These items are used for D.C. input

Material list cont.- Interface card

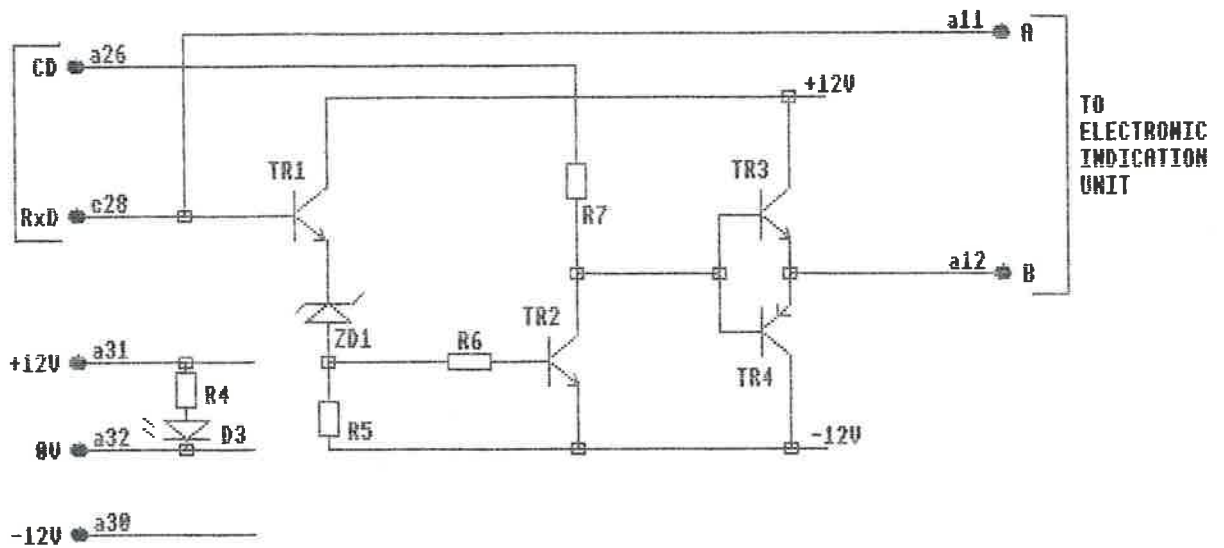
<u>COMPONENT</u>	<u>DESCRIPTION</u>	<u>MAIN SUPPLIER</u>	<u>STOCK NO.</u>	<u>QTY.</u>
R4	680R 0.33W	FARNELL	SFR25 680R	1
R1	5K6 0.33W	FARNELL	SFR25 5K6	1
R2,3,5	10K 0.33W	FARNELL	SFR25 10K	3
R6,7	33K 0.33W	FARNELL	SFR25 33K	1
D1,2	1N4004	STC	13217G	2
D3	RED LED	STC	09884E	1
ZD1	BZY88C3V6	STC	69926A	1
TR1,2,3	BC107	STC	62729B	3
TR4	BC177	STC	62740A	1
OPTO 1	ILQ1	STC	21501X	1
CARD	MICRO BOARD	STC	07059D	1
CONNECTOR	41612 EDGE	STC	45531B	1
HANDLE	BLACK	STC	26907G	1pk

The lists are for one end of system, please multiply quantities by two except where the items are supplied on reels or in packets.

FROM  
POLE  
CHANGE  
CIRCUIT



FROM  
MODEM



855256  
POLE CHANGE  
TO MODEM (24V)