

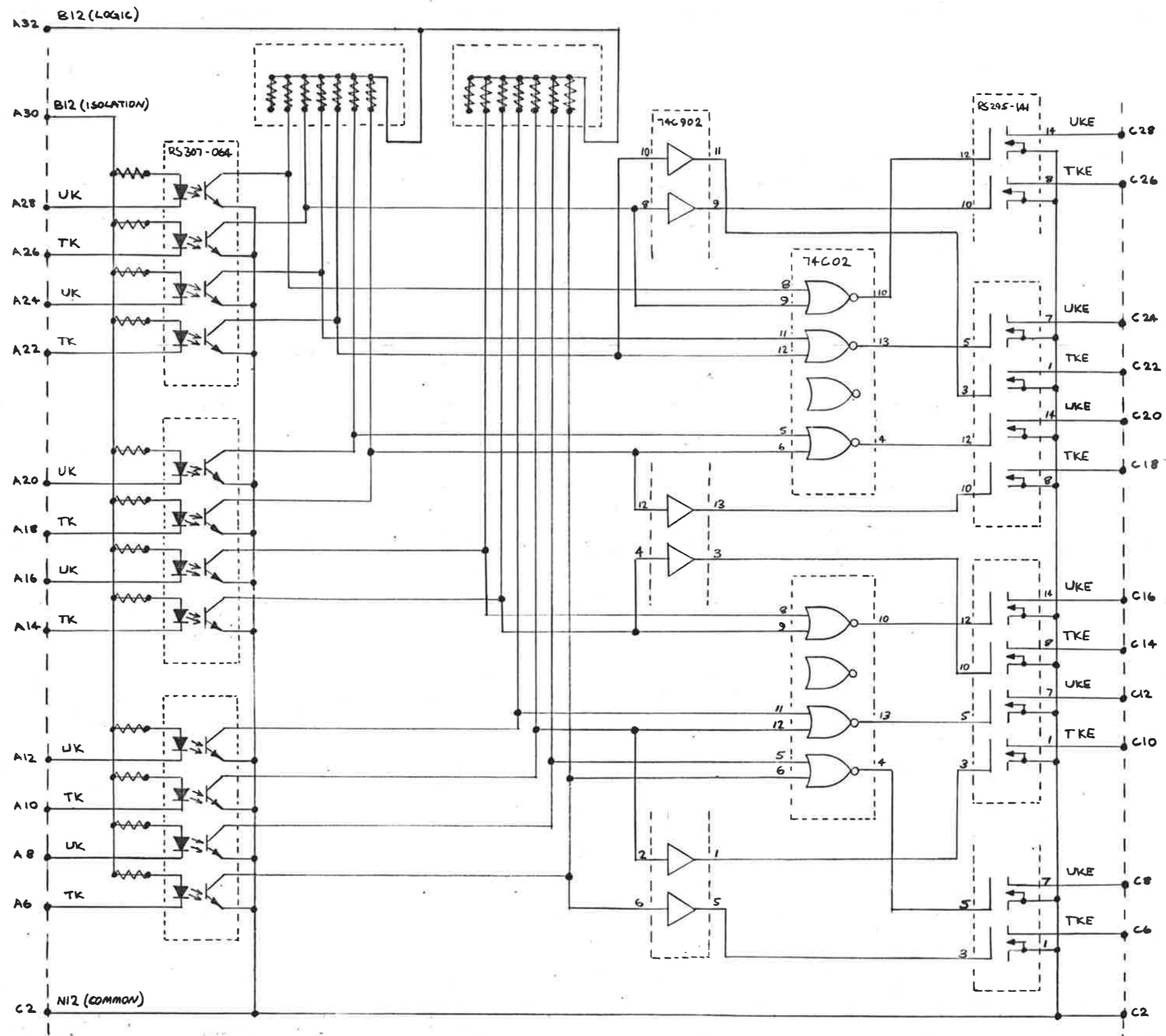
Revisions

British Railways Board
Chief Signal and Telecommunications Engineer



K.E. INTERFACE BOARD.

No. 84 SES 1



Revisions

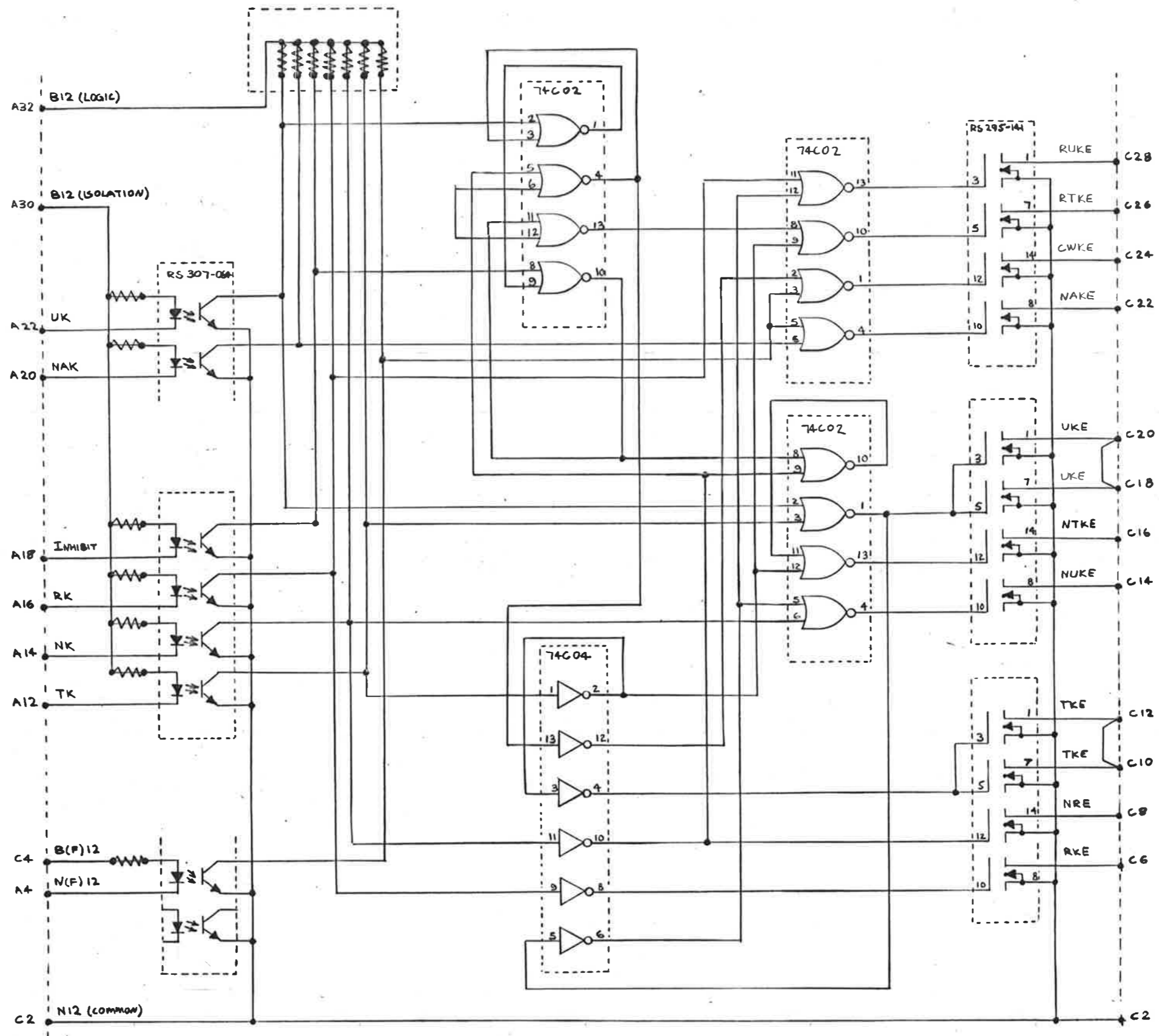
British Railways Board
Chief Signal and Telecommunications Engineer



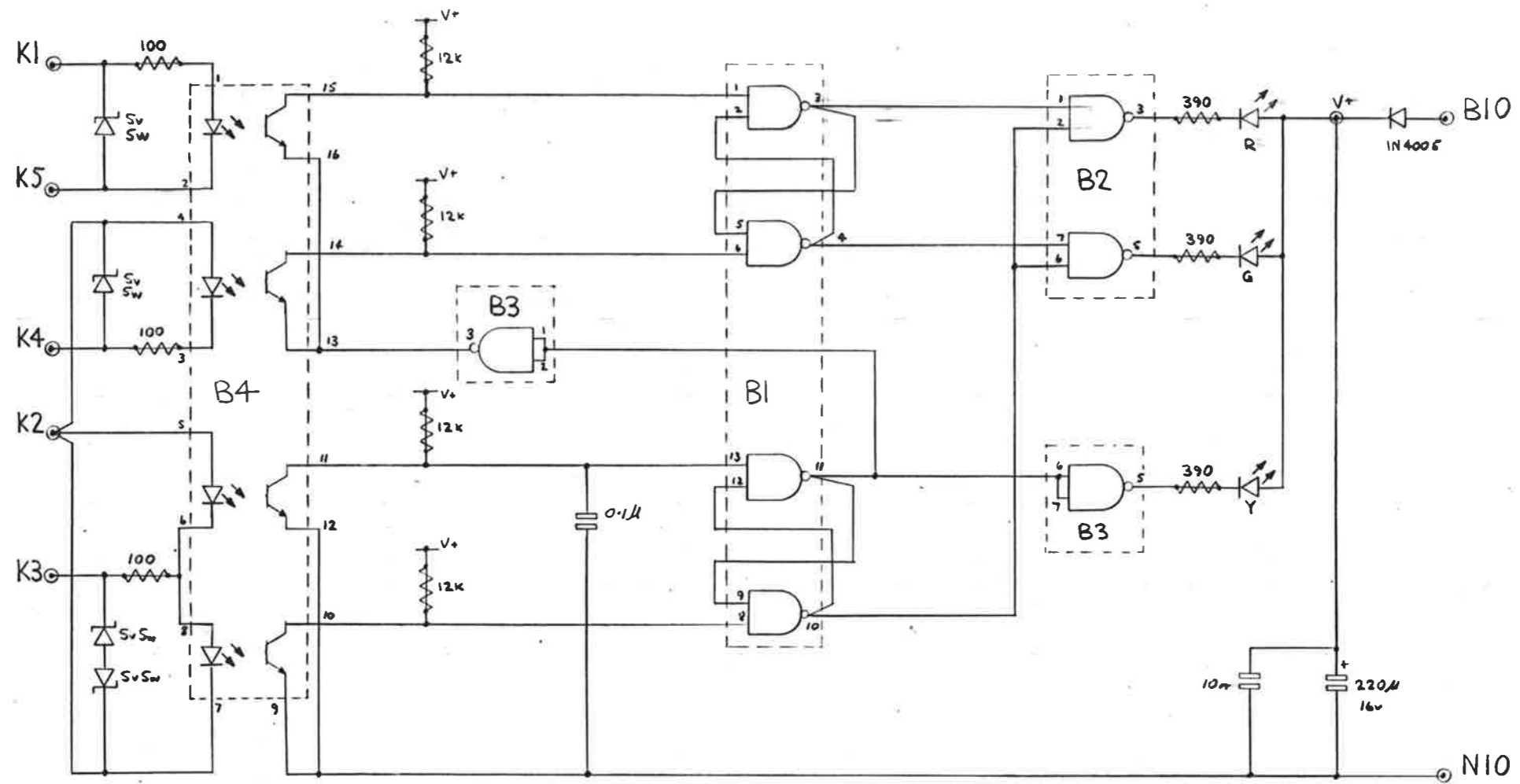
ROUTE AND TRACK

K.E. INTERFACE BOARD

No. 84 SES 2



<p>Revisions</p>	<p>British Railways Board Chief Signal and Telecommunications Engineer</p>	<p> British Rail</p>
	<p><u>POINTS</u></p>	
	<p><u>K.E. INTERFACE BOARD.</u></p>	<p>No. 84 SES 3</p>



B1-4011B
 B2-DS3686N
 B3-DS3686N
 B4-R.S.307-064.

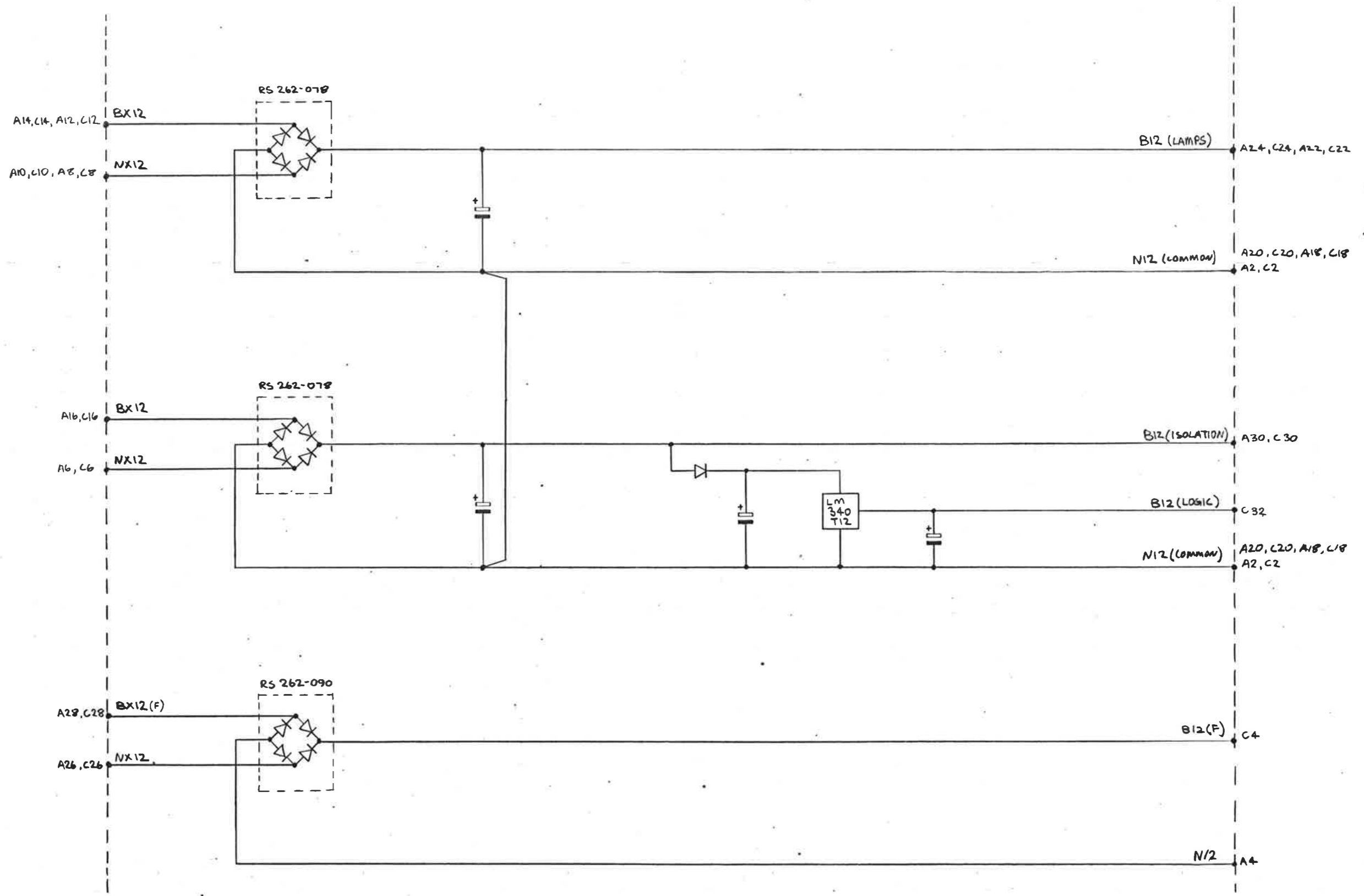
Revisions

British Railways Board
Chief Signal and Telecommunications Engineer



K.T. ELECTRONIC INDICATOR

No. 84 SES 4



	Revisions	

--	--	--	--	--	--	--	--	--	--

British Railways Board
Chief Signal and Telecommunications Engineer

POWER SUPPLIES FOR

K.E. INTERFACE BOARDS.

British Rail

No. **84 SES 5**