

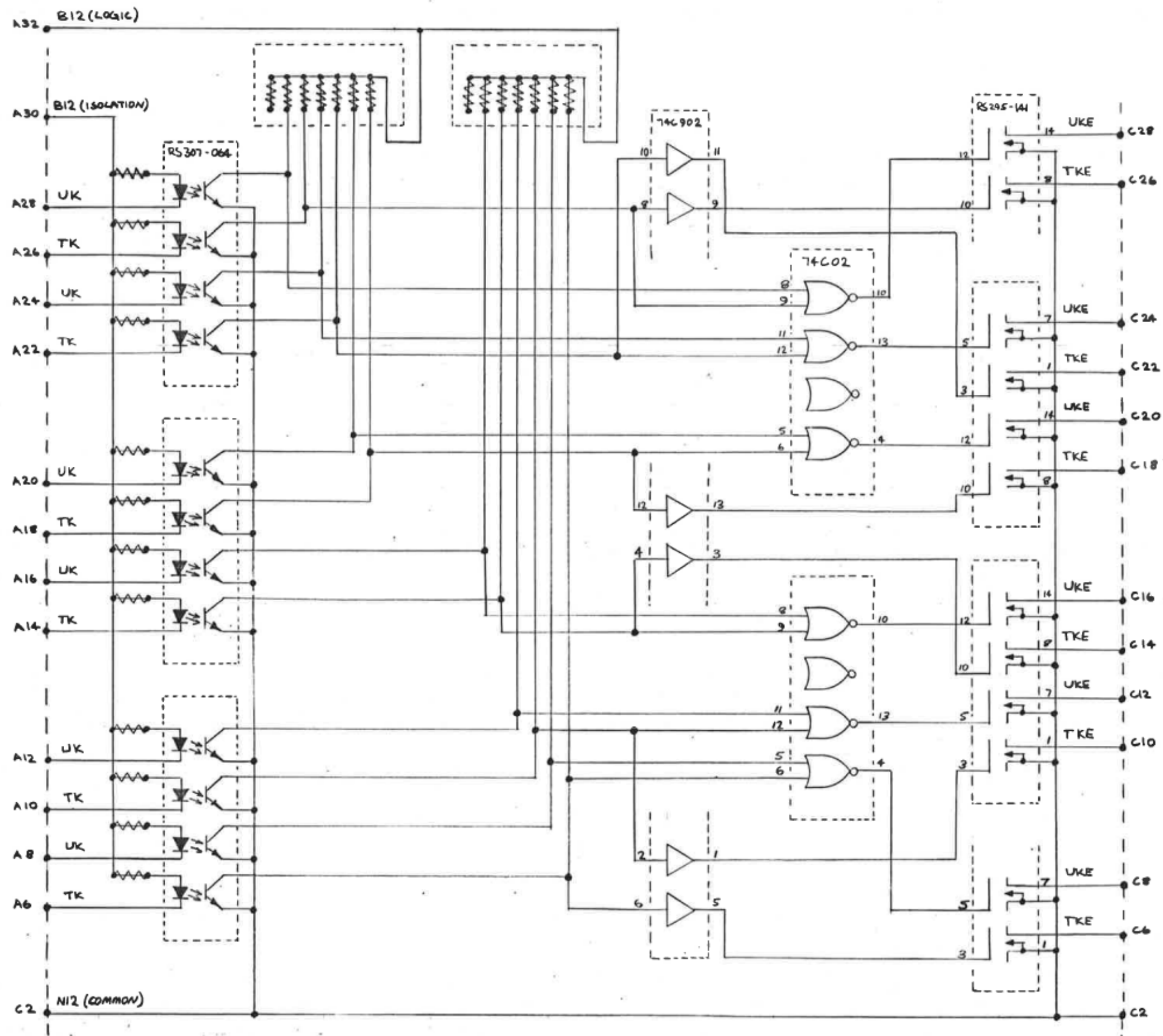
Revisions

British Railways Board
Chief Signal and Telecommunications Engineer



K.E. INTERFACE BOARD.

No. 84 SES 1



Revisions

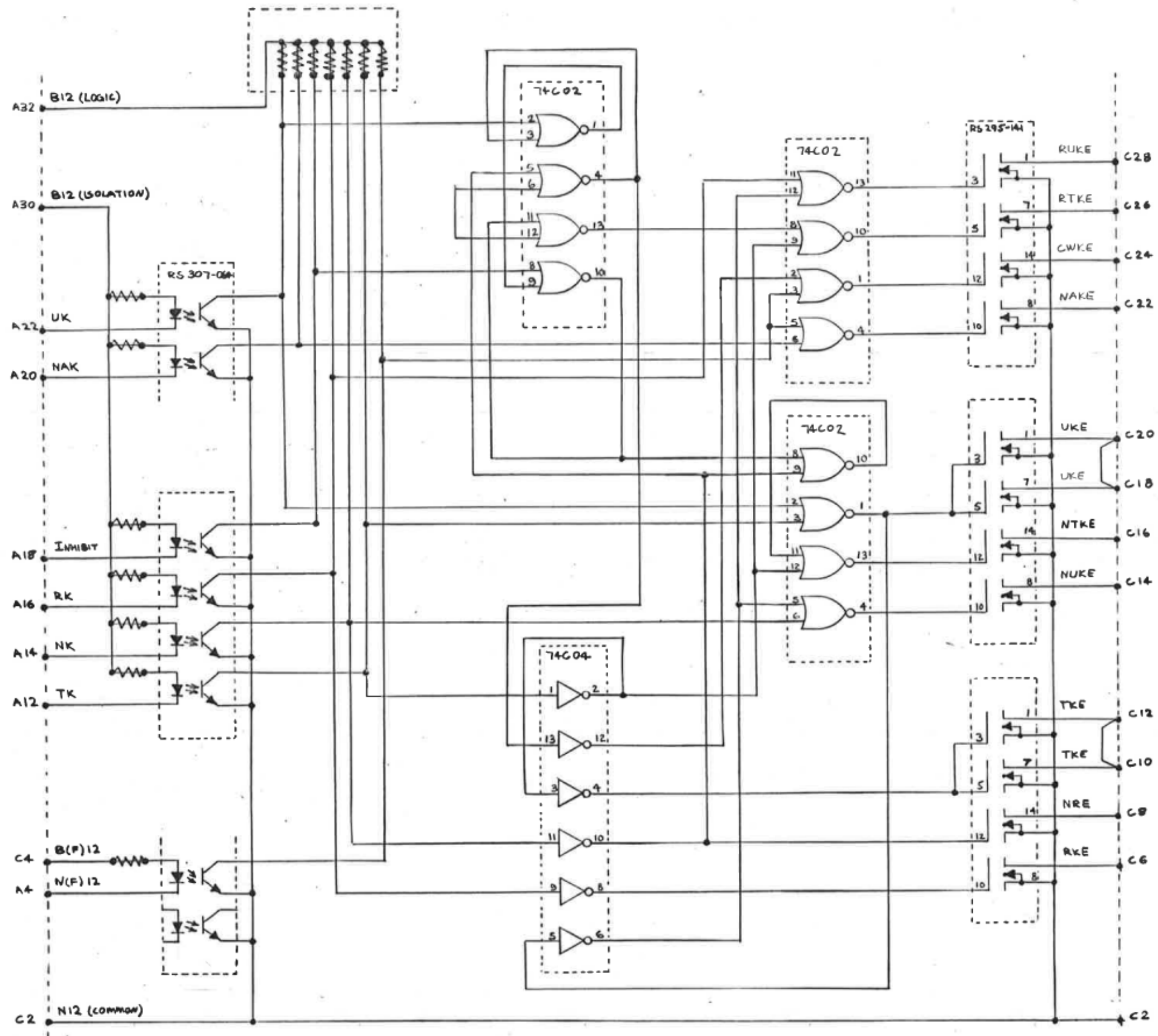
British Railways Board
Chief Signal and Telecommunications Engineer



ROUTE AND TRACK

K.E. INTERFACE BOARD

No. 84 SES 2



Revisions

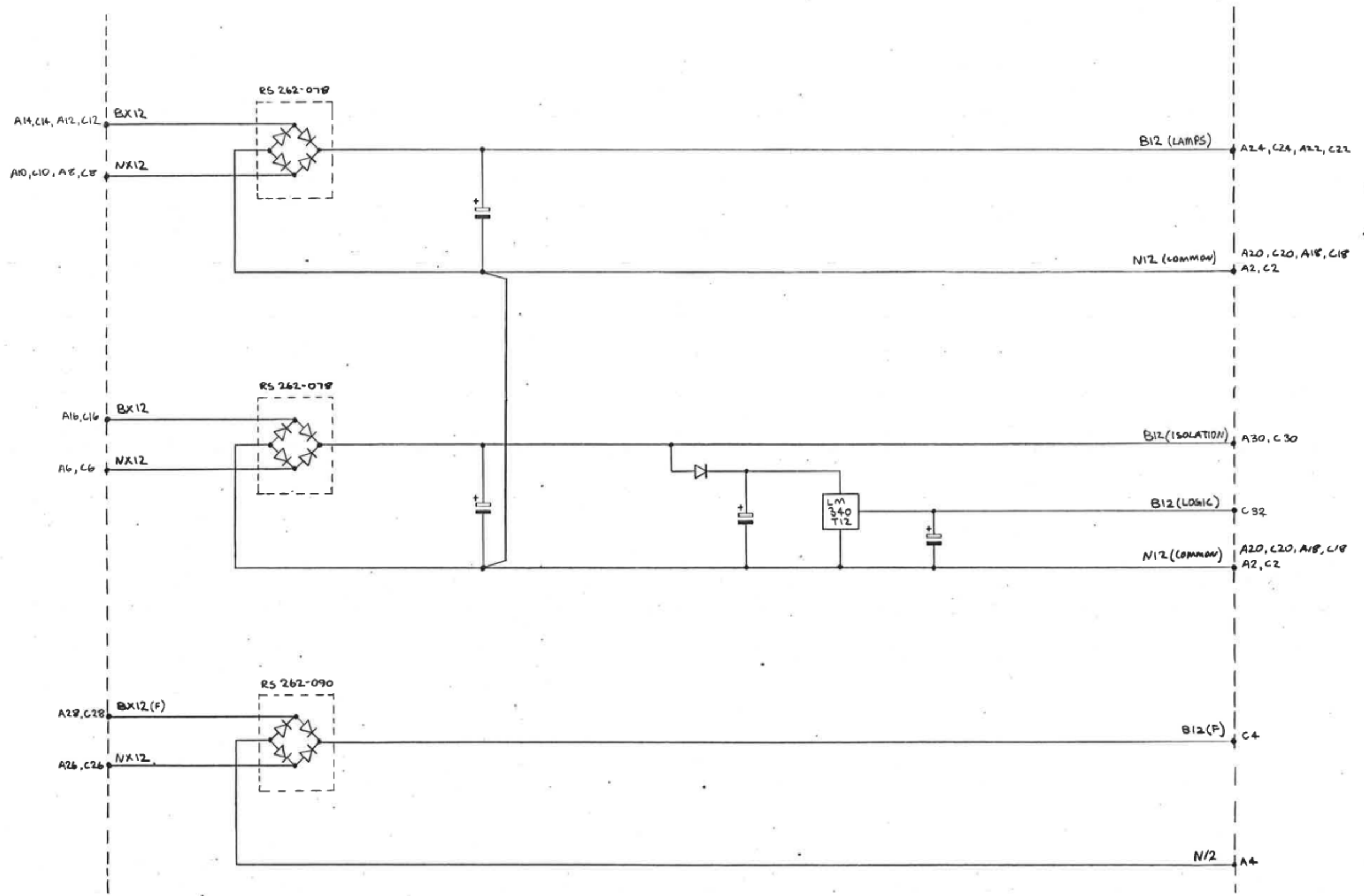
British Railways Board
Chief Signal and Telecommunications Engineer



POINTS

K.E. INTERFACE BOARD.

No. **84 SES 3**



Revisions

British Railways Board
Chief Signal and Telecommunications Engineer



POWER SUPPLIES FOR
K.E. INTERFACE BOARDS.

No. 84 SES 5