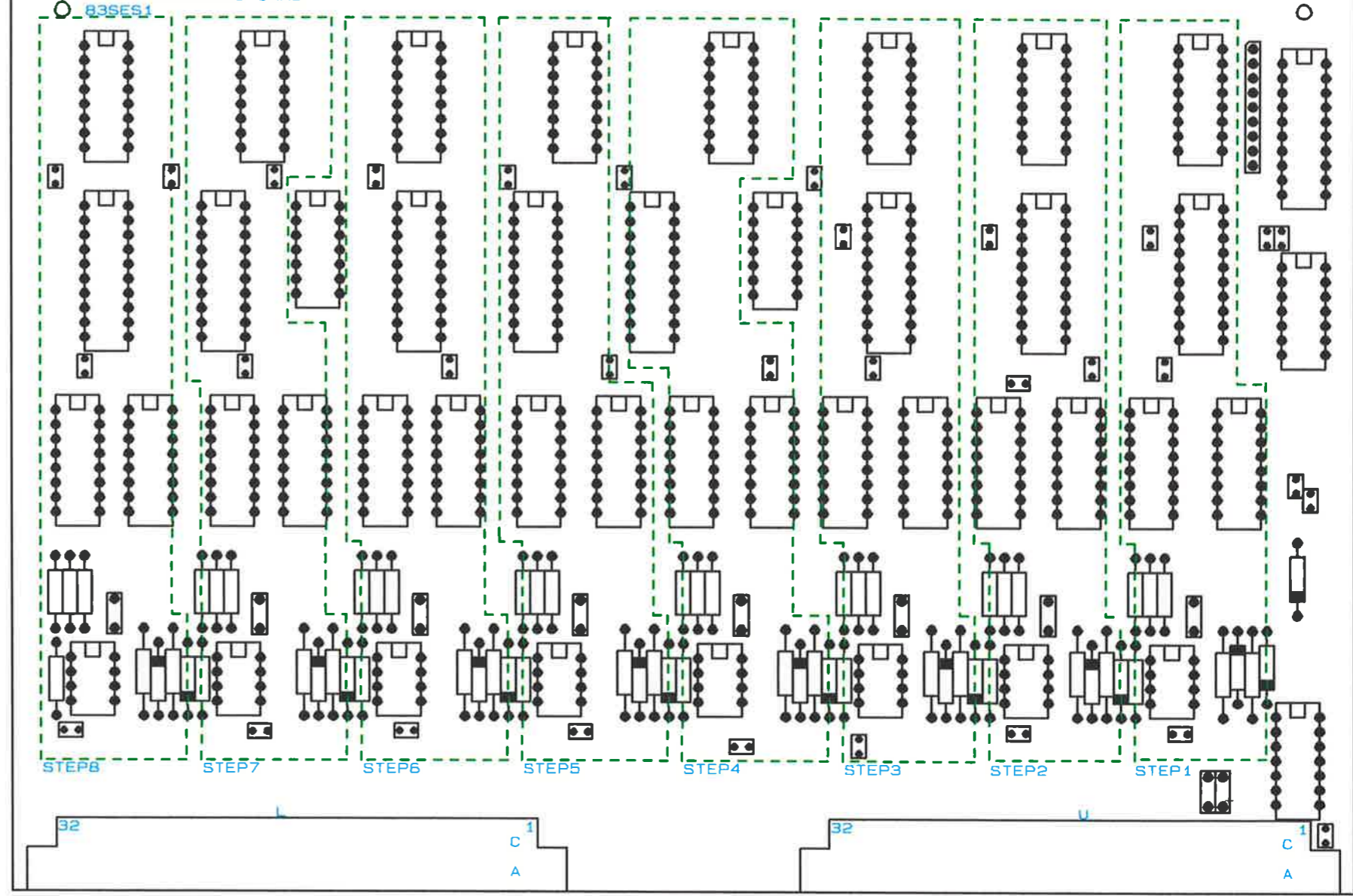


FILE No!

D of S & TE - SYSTEMS ENGINEERING		
Title		
BERTH STEPPING CARD		
Size	Document Number	REV
A	83SES1	
Date:	June 28, 1990	Sheet 1 of 2

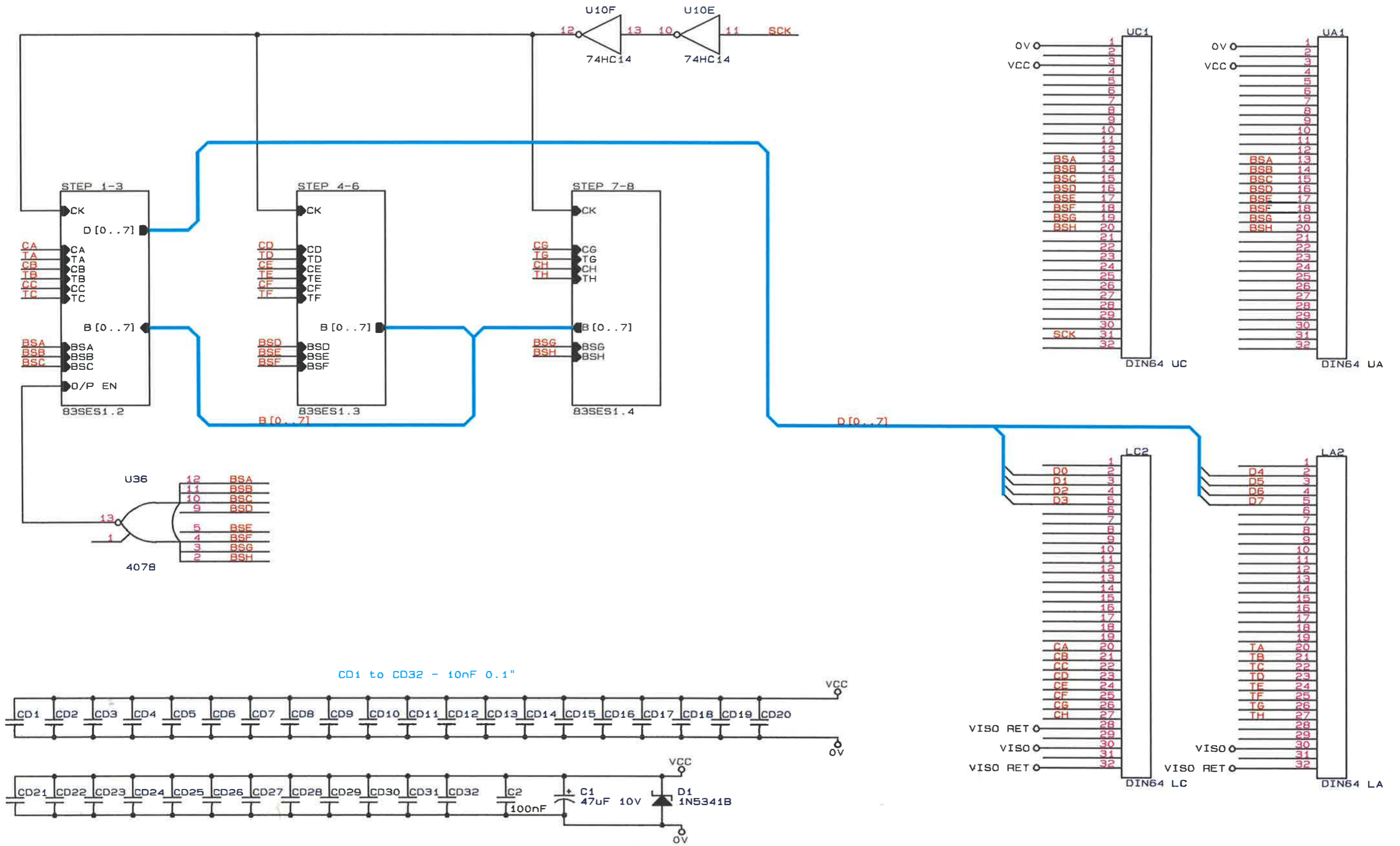
6

ScotRail
 BERTH STEPPING CARD
 83SES1



FILE NO!

D of S & TE - SYSTEMS ENGINEERING		
Title BERTH STEPPING CARD		
Size	Document Number	REV
A	83SES1	
Date:	June 28, 1990	Sheet 2 of 2

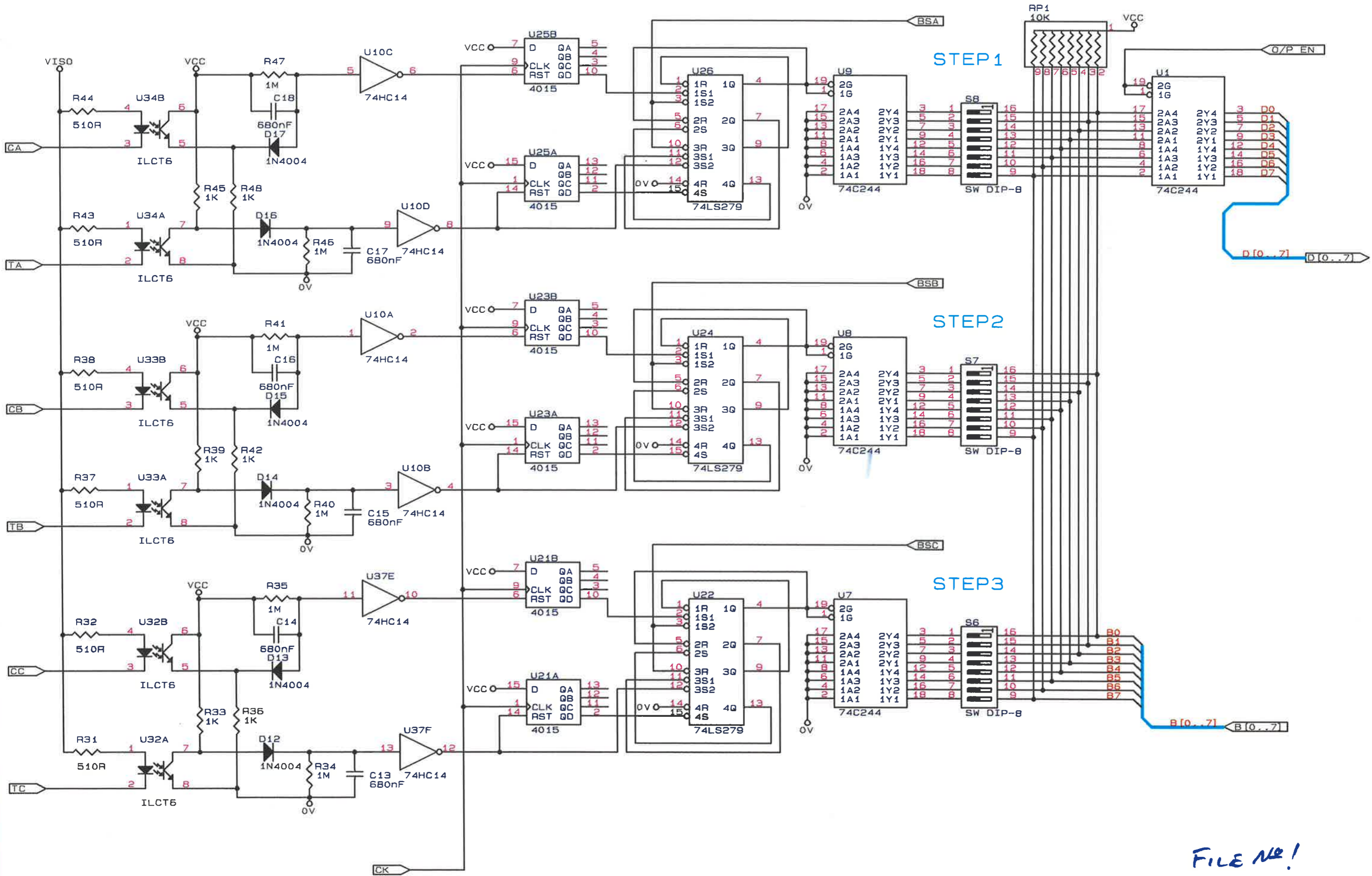


CD1 to CD32 - 10nF 0.1"

FILE NO!

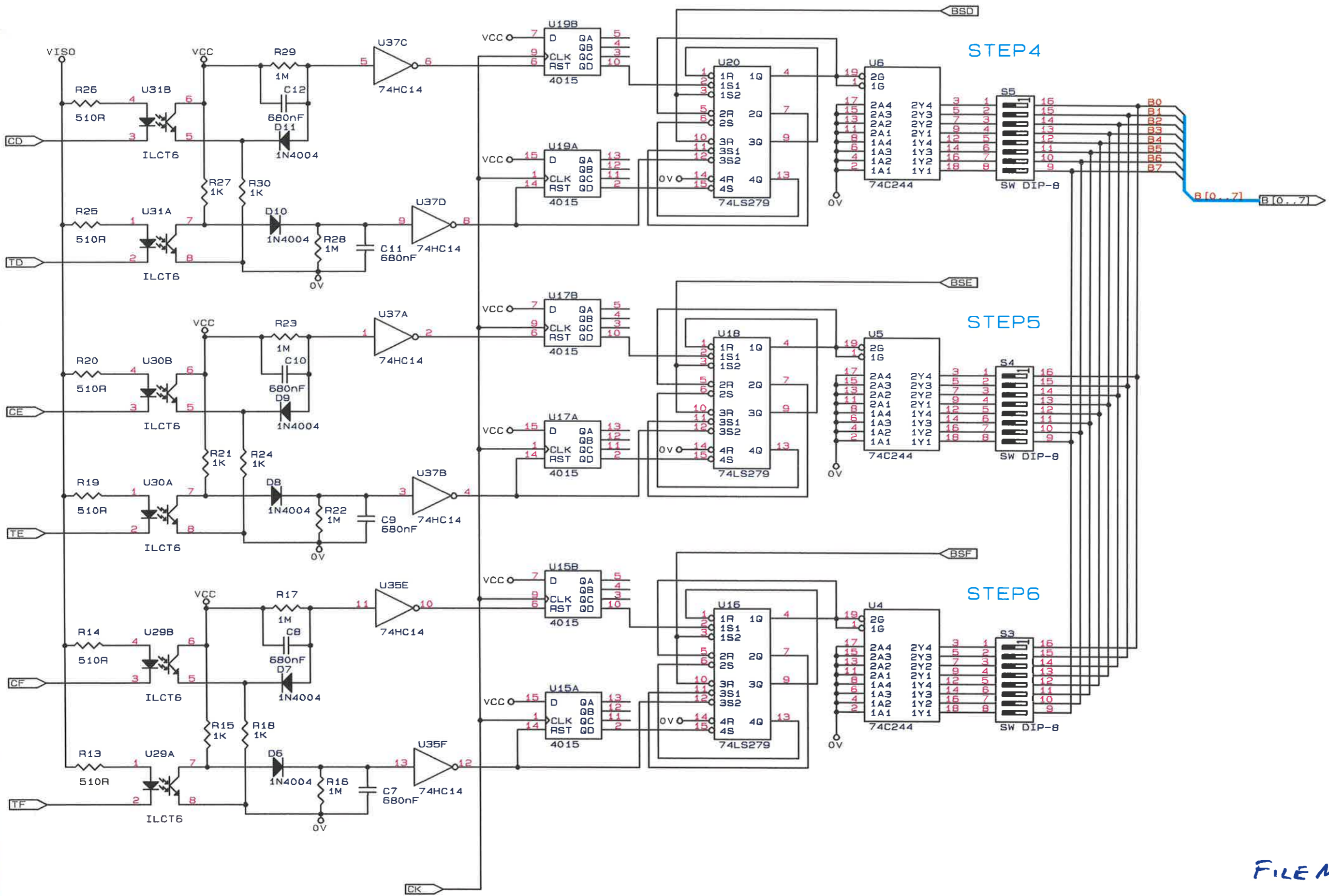


D of S & TE - SYSTEMS ENGINEERING		
Title		
BERTH STEPPING CARD		
Size	Document Number	REV
B	83SES1	
Date:	July 26, 1990	Sheet 3 of 6



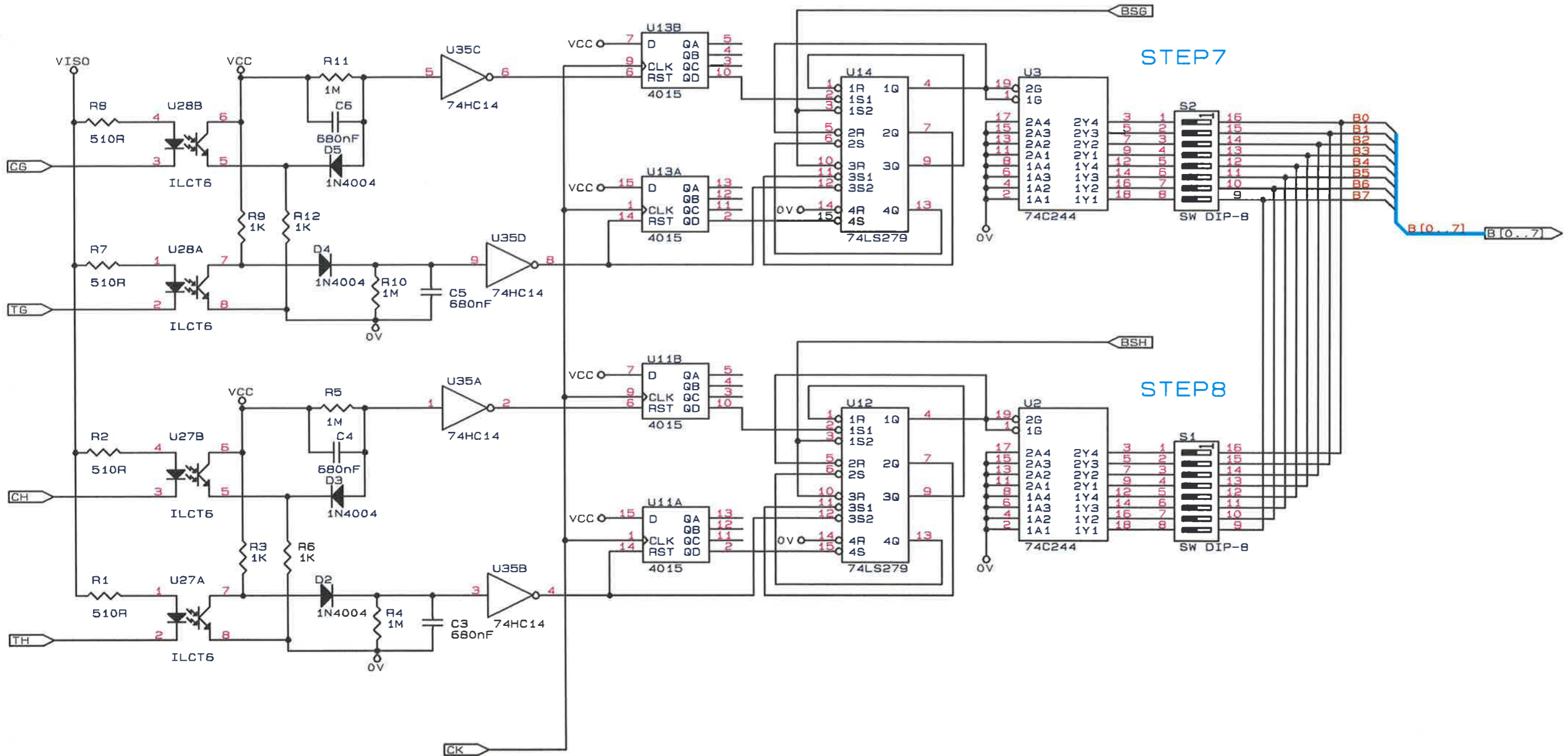
FILE NO!

D of S & TE - SYSTEMS ENGINEERING		
Title BERTH STEPPING CARD		
Size B	Document Number B3SES1	REV
Date: July 25, 1990	Sheet 4 of	6



FILE NO!

D of S & TE - SYSTEMS ENGINEERING		
Title		
BERTH STEPPING CARD		
Size	Document Number	REV
B	B3SES1	
Date:	July 25, 1990	Sheet 5 of 6



FILE NR!

D of S & TE - SYSTEMS ENGINEERING		
Title BERTH STEPPING CARD		
Size B	Document Number 83SES1	REV
Date: July 25, 1990	Sheet 6 of	6