

PART No.	QTY
RESISTORS	
*120 OHMS	1
*470 OHMS 4 WATTS	1
4K7	2
8K2	1
12K	1
15K	2
33K	1
62K	1
100K	2
5M	1
20K VER. MULTI-TURN PRE.	1
CAPACITORS	
10nF 1KV DISC	1
10nF 63V 5mm SPACE	6
10nF 50V 2.5mm SPACE	4
0.1uF 35V TANT	1
330nF 5mm SPACE	1
10uF 25V ELEC.	1
*470uF 63V ELEC.	1
10,000uF 63V ELEC	1
DIODES	
A114D	2
1N4004	4
1N5347B	2
BZX 61C10	2
*BZX 70C47	2
TRANSISTORS	
2N3725	2
2N4036	2
BC107	1
*IRF 540	2
INTEGRATED CIRCUITS	
ICM 555C	1
CD 4012	2
HM 74C00N	1

RS 186-536

PART No.	QTY
TRANSFORMER	
*12-0-12 110V 200VA	1
CASE	
RS 507466(L366W221H241)	1
CABLE	
32/0.25 1.0mm ²	6M
1/0.6 0.28mm ²	1M
HARDWARE	
*T0220 MOUNTING KIT	2
TURRET TAGS (LARGE)	6
PCB SCREW TERMINAL	1
20A TERMINAL BLOCK	1
2mm ALUMINIUM SMT.	5001 300
CABLE GLANDS	2
SLEEVING L 25mm	10
*1/4" SPADE TERMINAL	12
*1/4" SPADE COVER	12
PCB 83SES11	1
3mm NUTS	12
3mm LOCKWASHERS	12
3mm PLAIN WASHERS	12
3=10mm BOLT	12
3=20mm BOLT	2
3=50mm ROD	1
5mm NUTS	4
5mm LOCKWASHERS	4
5mm PLAIN WASHERS	4
5=10mm BOLT	4
6 BA SOLDER TAGS	6
HEAT SINK COMPOUND	1

RS 208-018

RS 507-466

PART No.	QTY
*3K3 2.5 WATT	1
*1K5	1
*2.2 OHM 2.5 WATT	1
*12K 1WATT	1
*470uF 250V ELEC	1
*82103C150	2
*IRF 250	2
*55-0-55 110V 500VA	1
103 MOUNTING KIT	2

* PARTS NOT REQUIRED FOR 500VA VERSION
 ALL RESISTORS 0.25 WATT UNLESS STATED
 ° PARTS REQUIRED FOR 500VA VERSION

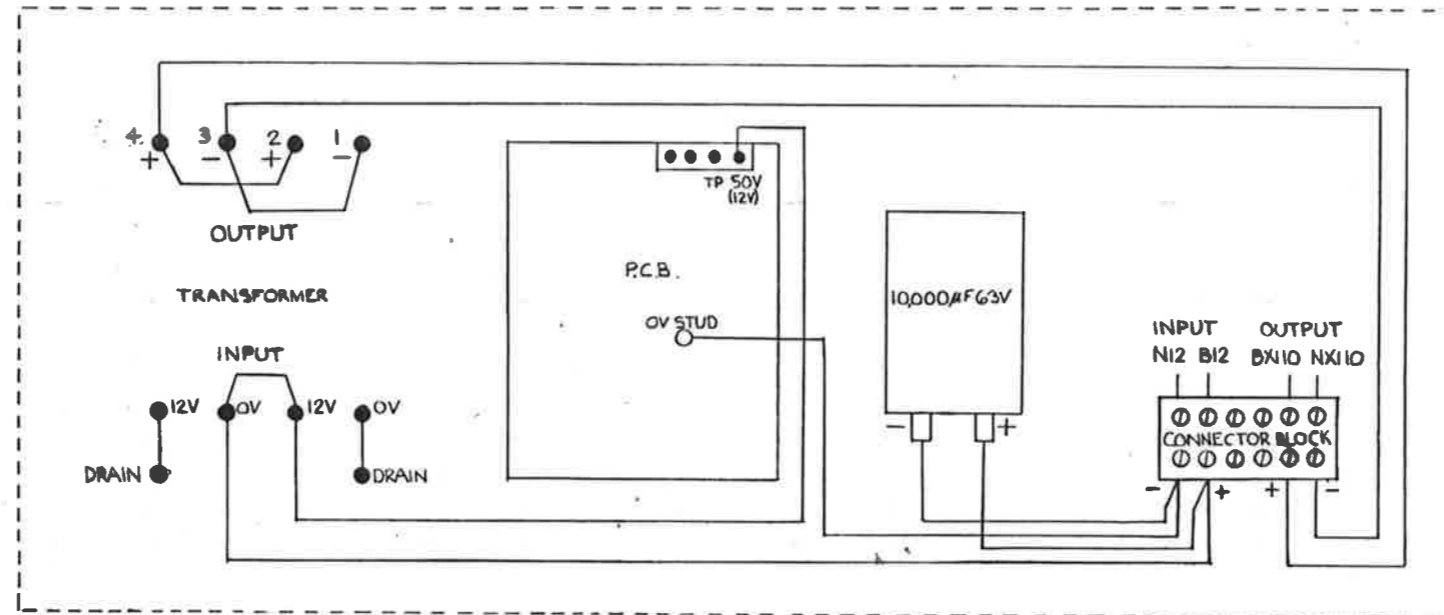
Revisions


British Railways Board
 Chief Signal and Telecommunications Engineer

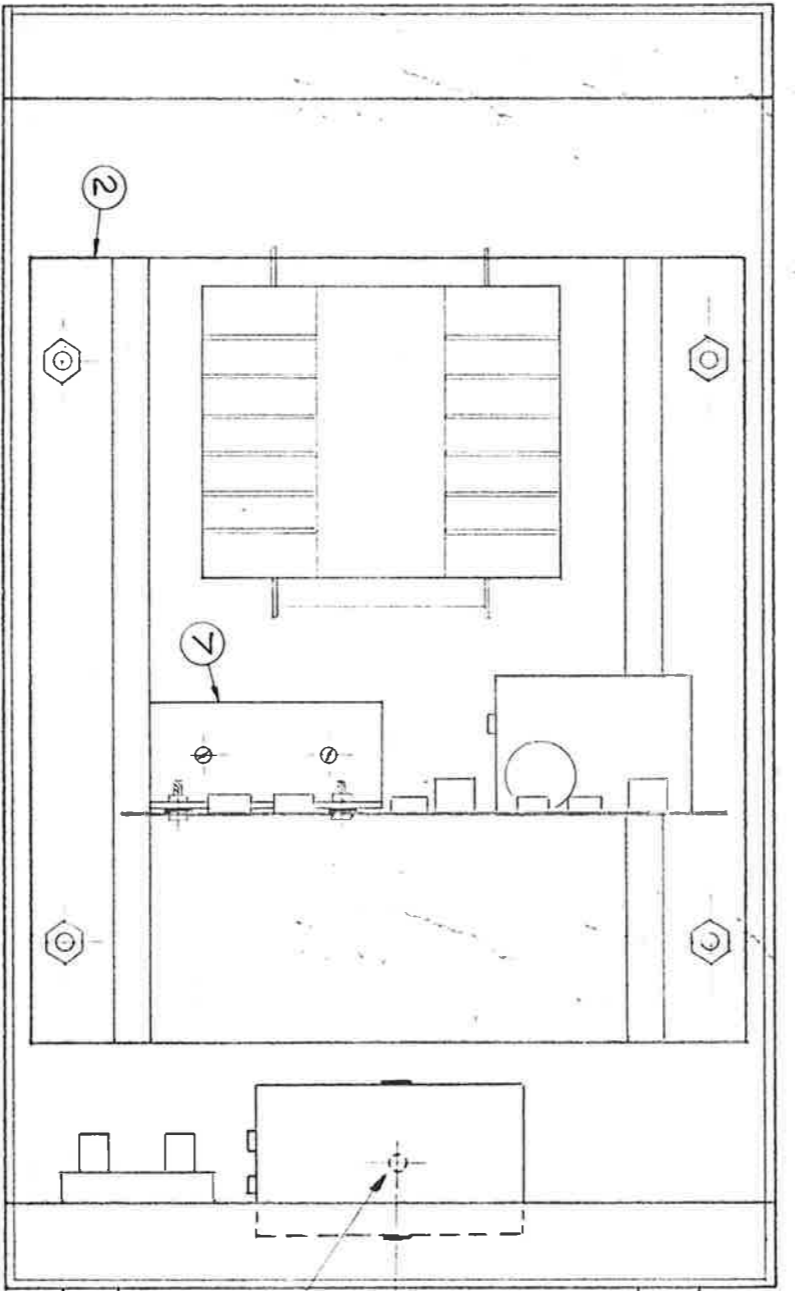
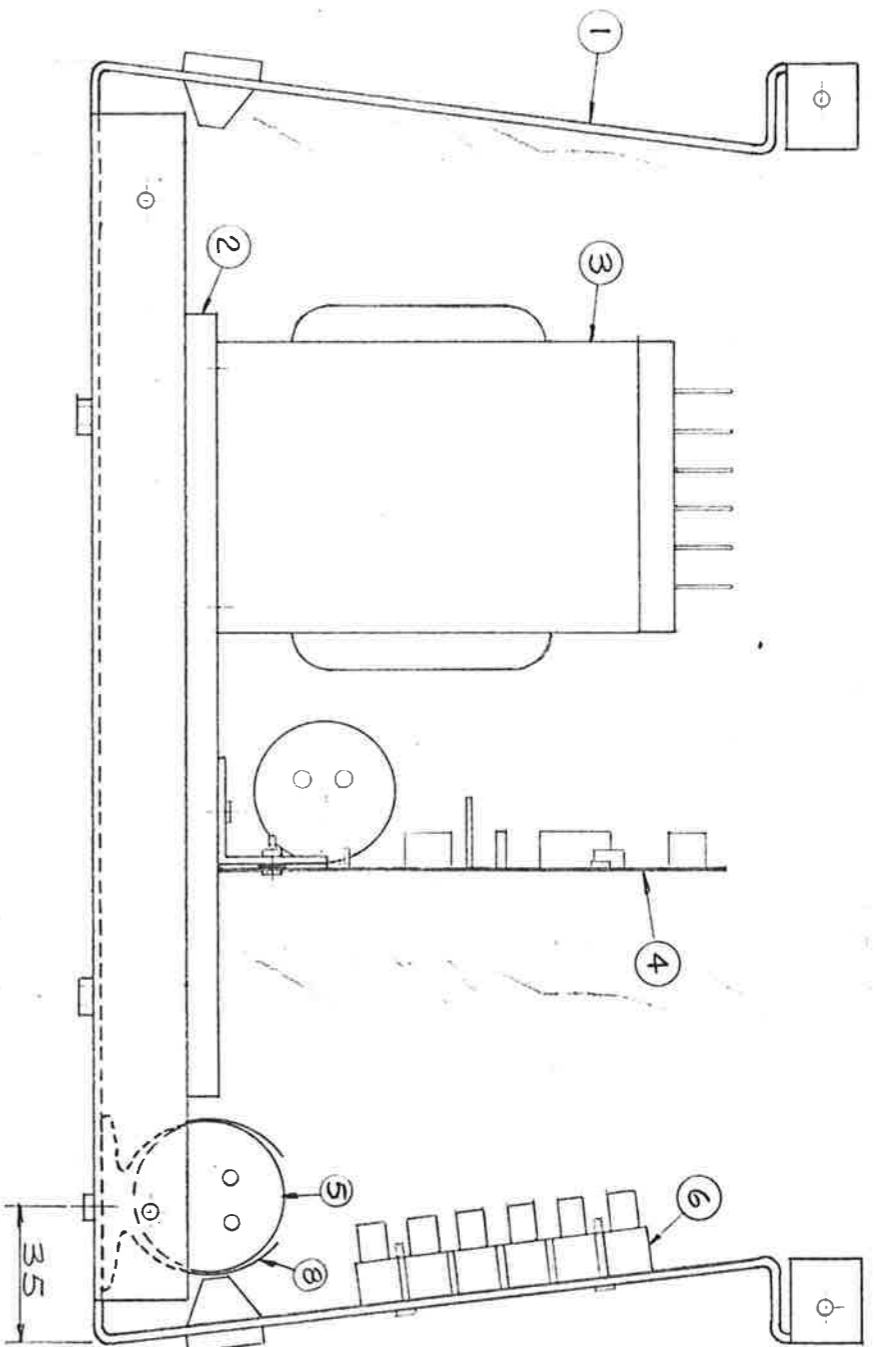


SHEET 2 of 3

No. 83 SES 11



	Revisions		British Railways Board Chief Signal and Telecommunications Engineer	 British Rail SHEET 3 of 3 No. 83 SES 11
UDO 00060		24/10/85	12V 200VA / 50V 500VA INVERTER WIRING DIAGRAM	A2 BR888/19



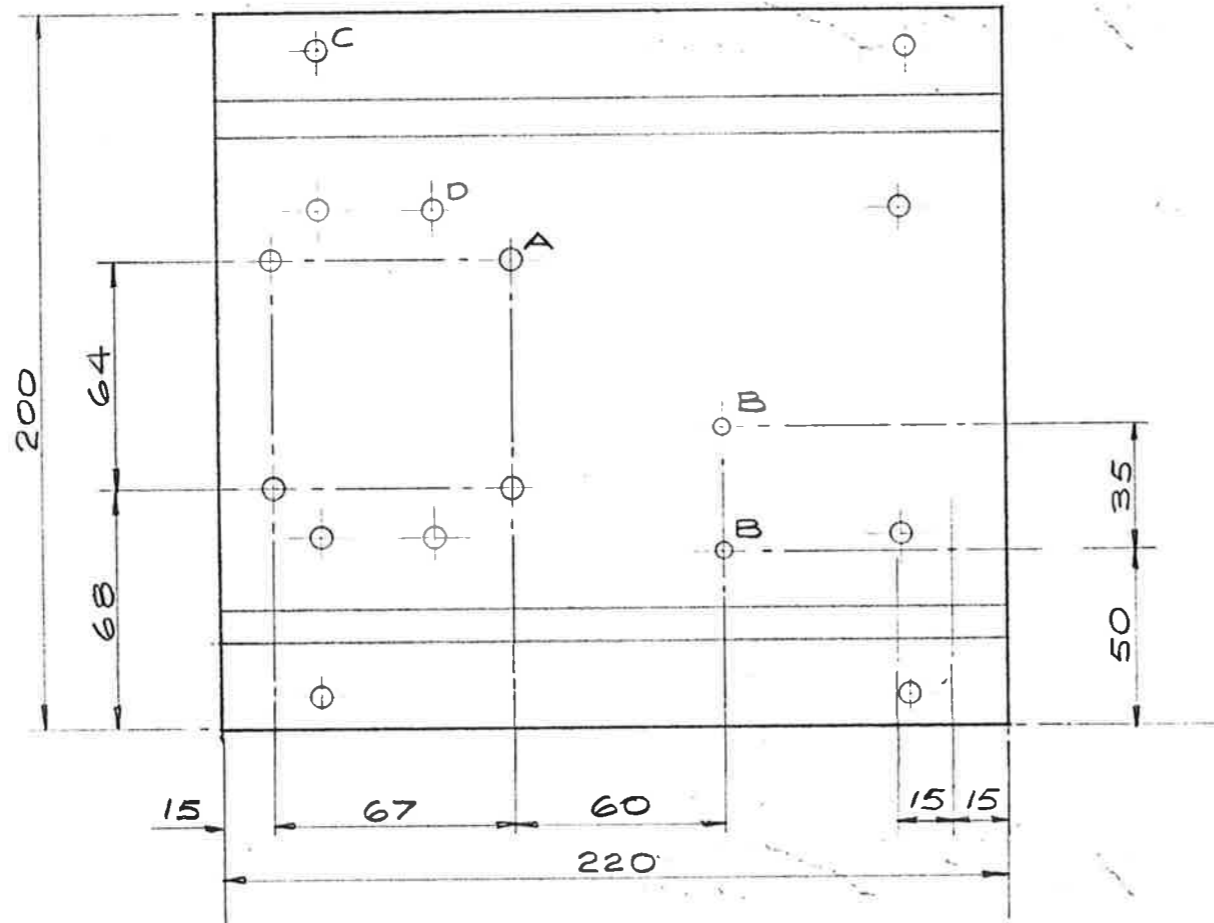
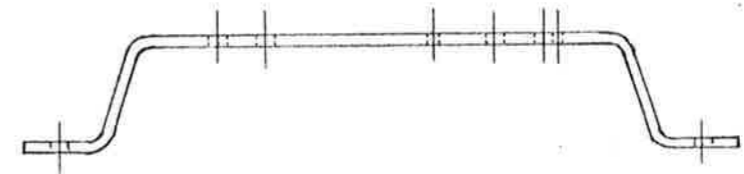
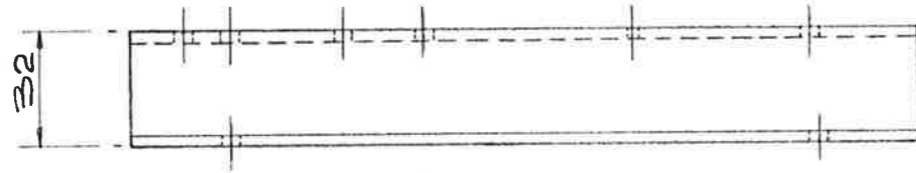
CABLE EXIT GROMMET (110V).

HOLE 4 DIA. IN CASE FOR FIXING SPRING CLIP

CABLE ENTRY GROMMET (112V).

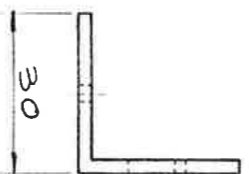
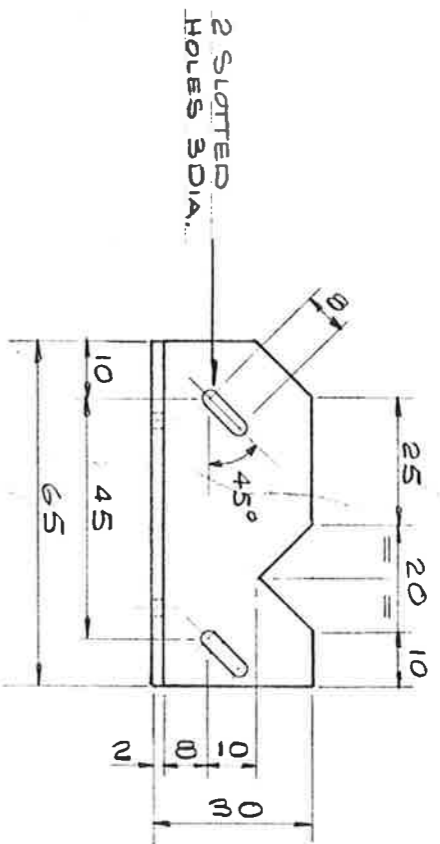
- ITEM 1 - TRANSFORMER CASE. RADIO SPARES NO. 507-466. COMPLETE WITH PRE-DRILLED STAND-OFF PLATE FOR MOUNTING TRANSFORMERS, AND REMOVABLE COVER.
- ITEM 2 - STAND-OFF PLATE.
- ITEM 3 - 200 VA TRANSFORMER.
- ITEM 4 - CIRCUIT BOARD.
- ITEM 5 - 10,000µF CAPACITOR.
- ITEM 6 - TERMINAL BLOCK.
- ITEM 7 - HEAT SINK.
- ITEM 8 - SPRINGCLIP (RS-507-769).

DRN	IB	FEg	MATL.	BRITISH RAILWAYS - SCOTTISH REGION
TRCD	B86			R.S. & T.E. GLASGOW
CHD		FINISH		TITLE
				12V/200VA INVERTER
AMENDMENT SCALE			1:15	ASSEMBLY DETAILS
				DES. SCR/M/226
				SHT. 1 OF 3

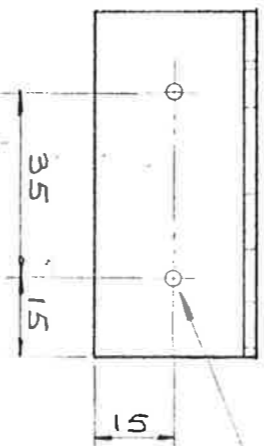


HOLES A - 4 HOLES 5 DIA. FOR LOCATING 200VA TRANSFORMER (ITEM 3).
 HOLES B - 2 HOLES 3 DIA. FOR LOCATING HEAT SINK (ITEM 7).
 HOLES C - 4 HOLES PRE-DRILLED FOR LOCATING STAND-OFF PLATE TO CASE (ITEMS 2 & 1).
 HOLES D - 6 HOLES PRE-DRILLED FOR LOCATING VARIOUS TRANSFORMERS

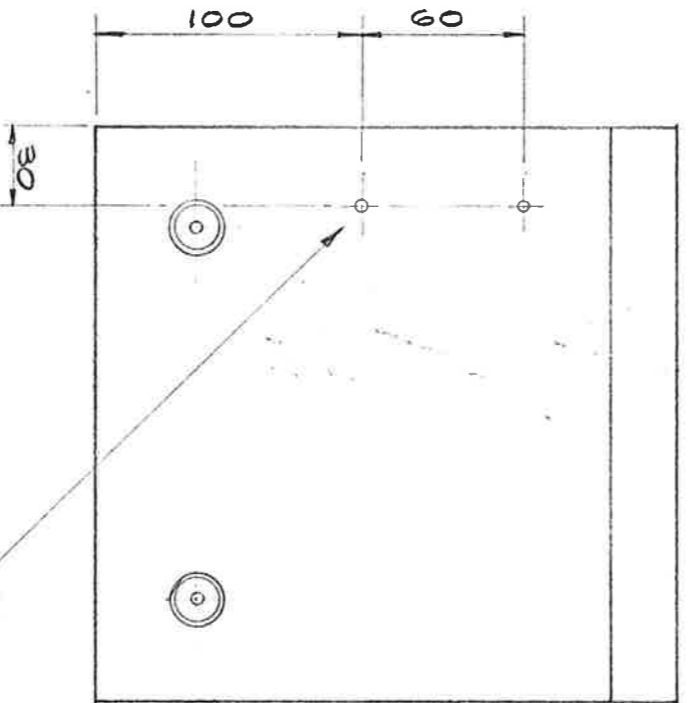
DRZ	IB	FE	MATL.	BRITISH RAILWAYS - SCOTTISH REGION	
		'86		R.S. & T.E. GLASGOW	
CFD			FINISH	TITLE	
TRC				12V/200VA INVERTER	
AMENDMENT			SCALE	DRG	DRG
			1:15	SCR-M-226	SCR-M-226
				OF STAND-OFF PLATE	SHT 2 OF 3



DETAILS OF HEAT SINK
ITEM 7 SCALE 1:1



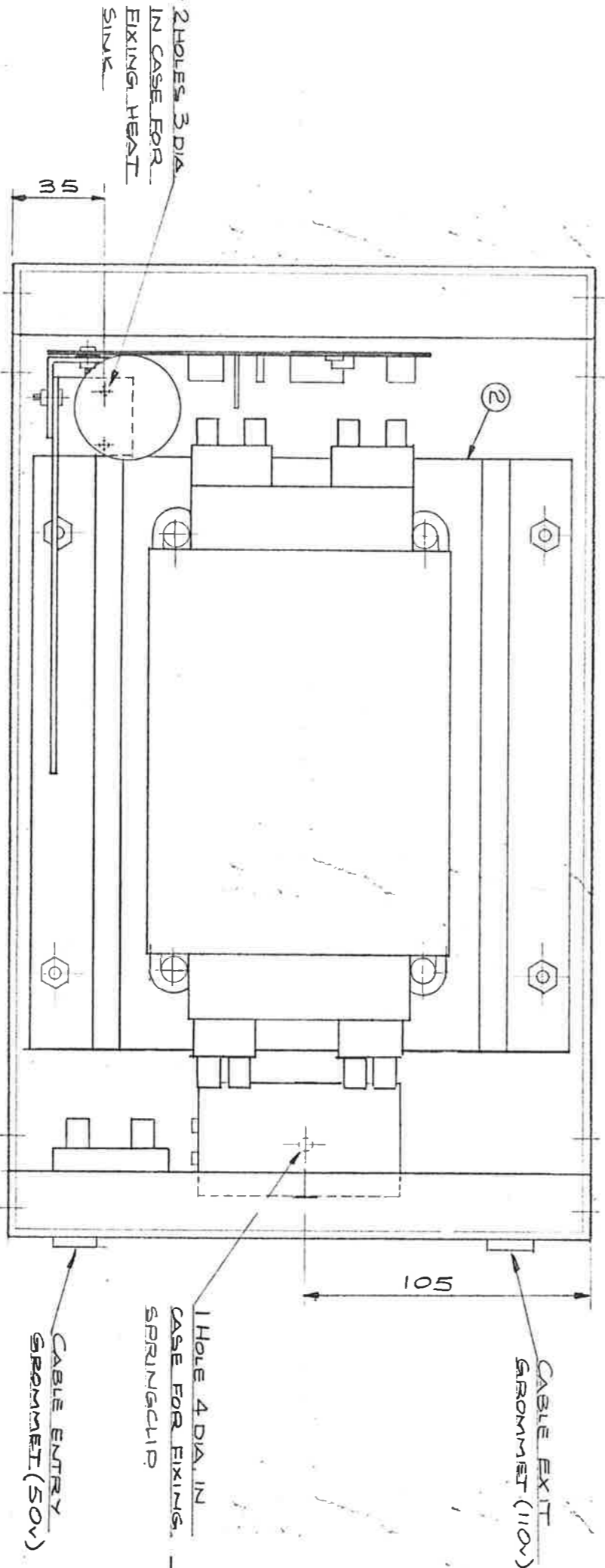
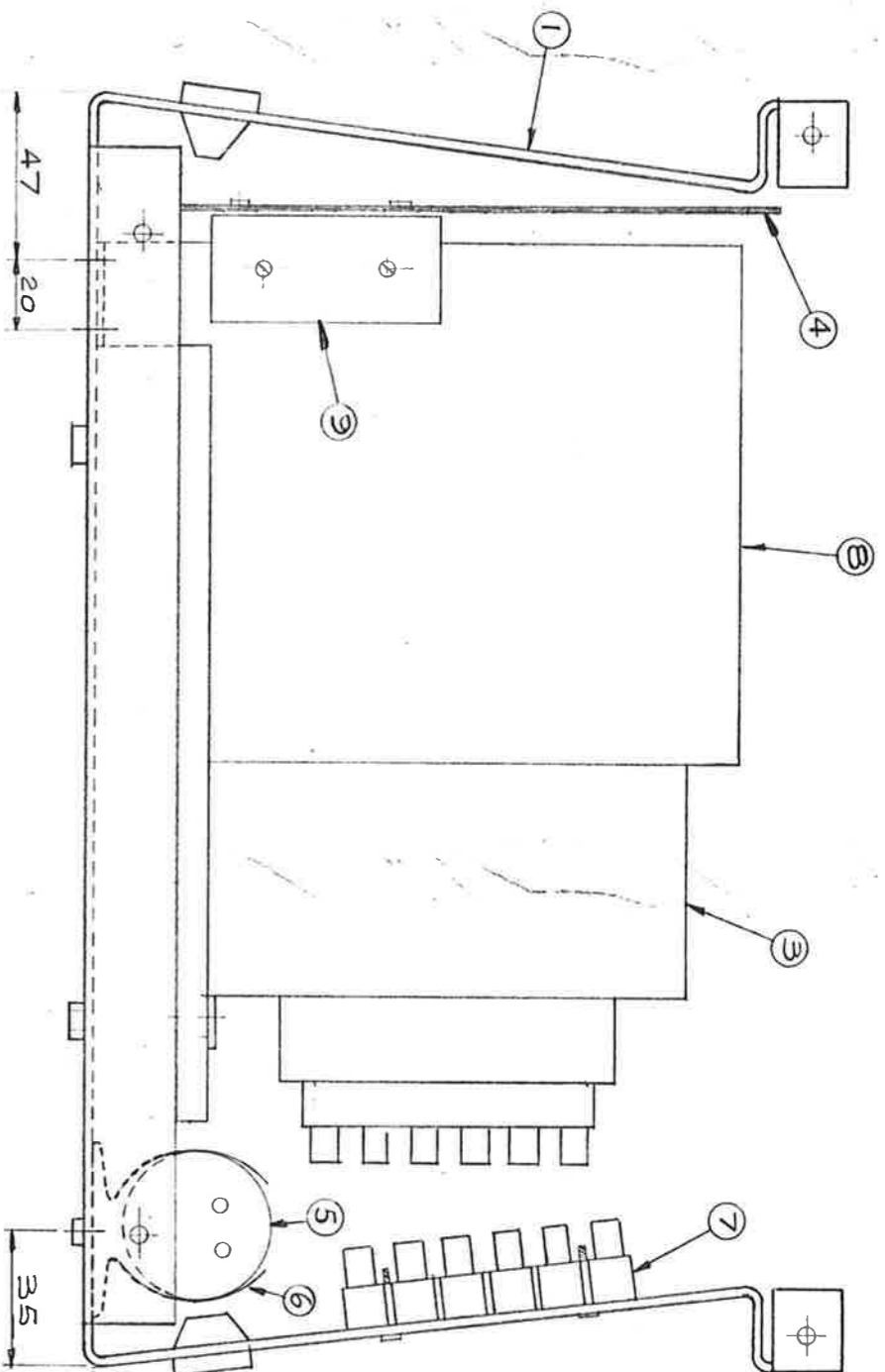
2 HOLES 3 DIA.



2 HOLES 3 DIA. FOR
SECURING TERMINAL
BLOCK TO CASE

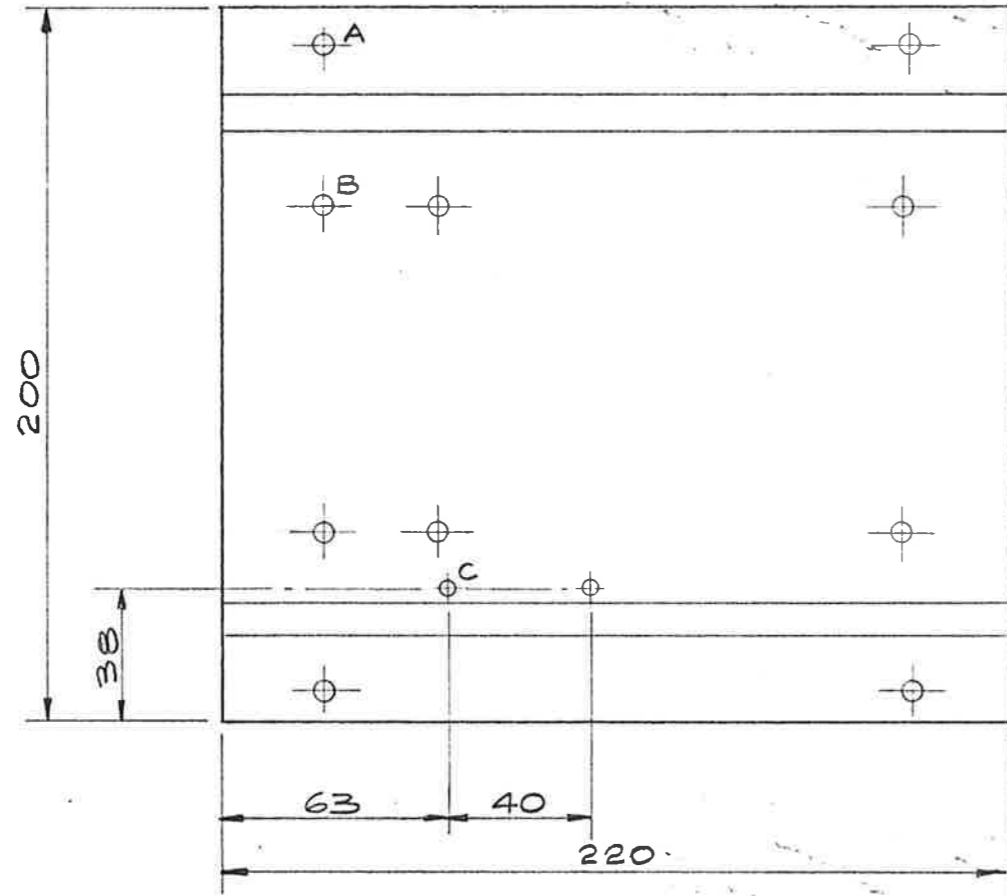
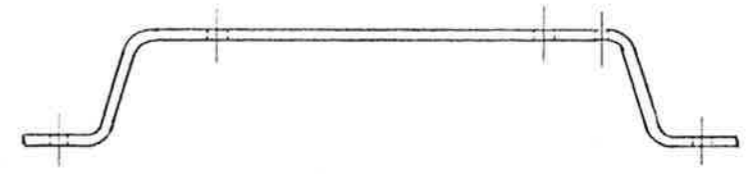
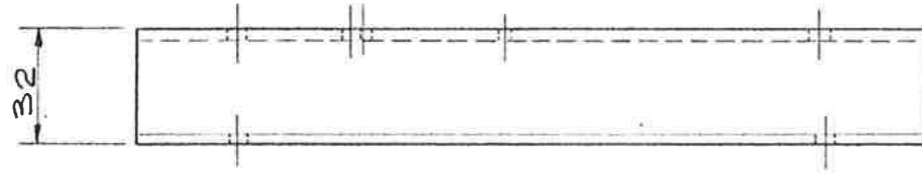
END ELEVATION OF TRANSFORMER CASE
SCALE 1:2

DR	IR	FR	MATL	BRITISH RAILWAYS-SCOTTISH REGION R.S. T.E. GLASGOW
RN	IB	EG	ALUMINIUM	
	TR		FINISH	TITLE
	CHKD			12V/200VA INVERTER
AMENDMENT			SCALE FULL SIZE 1:2	DETAILS OF HEAT SINK
				DRG. SCR-M-226 SHT. 3 OF 3



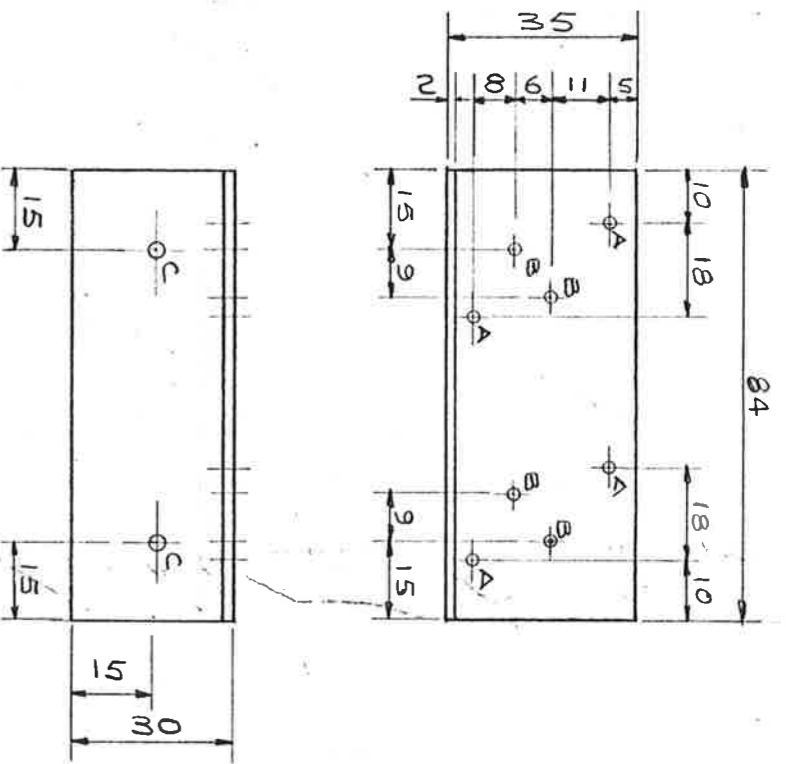
- ITEM 1 - TRANSFORMER CASE. RADIO SPARES NO. 507-466 COMPLETE WITH PRE-DRILLED STAND-OFF PLATE FOR MOUNTING TRANSFORMERS, AND REMOVABLE COVER.
- ITEM 2 - STAND-OFF PLATE
- ITEM 3 - 500VA TRANSFORMER
- ITEM 4 - CIRCUIT BOARD. (83SES11)
- ITEM 5 - 10,000 μ F CAPACITOR
- ITEM 6 - SPRINGCLIP (RS-507-769)
- ITEM 7 - TERMINAL BLOCK. (RS-423-560)
- ITEM 8 - HEAT SINK (LARGE). SHT 3
- ITEM 9 - HEAT SINK (SMALL). SHT. 3

DR	I. E.	MAV.	BRITISH RAILWAYS - SCOTTISH REGION	
RN	B '86		R.S. & T.E. GLASGOW	
TR	CO	FINISH	TITLE	
CHK			50V 500VA INVERTER	
AMENDMENT	SCALE		ASSEMBLY DETAILS	
	1:15		DIRG	
			SCR/M/226	
			SHT. 1 OF 3	



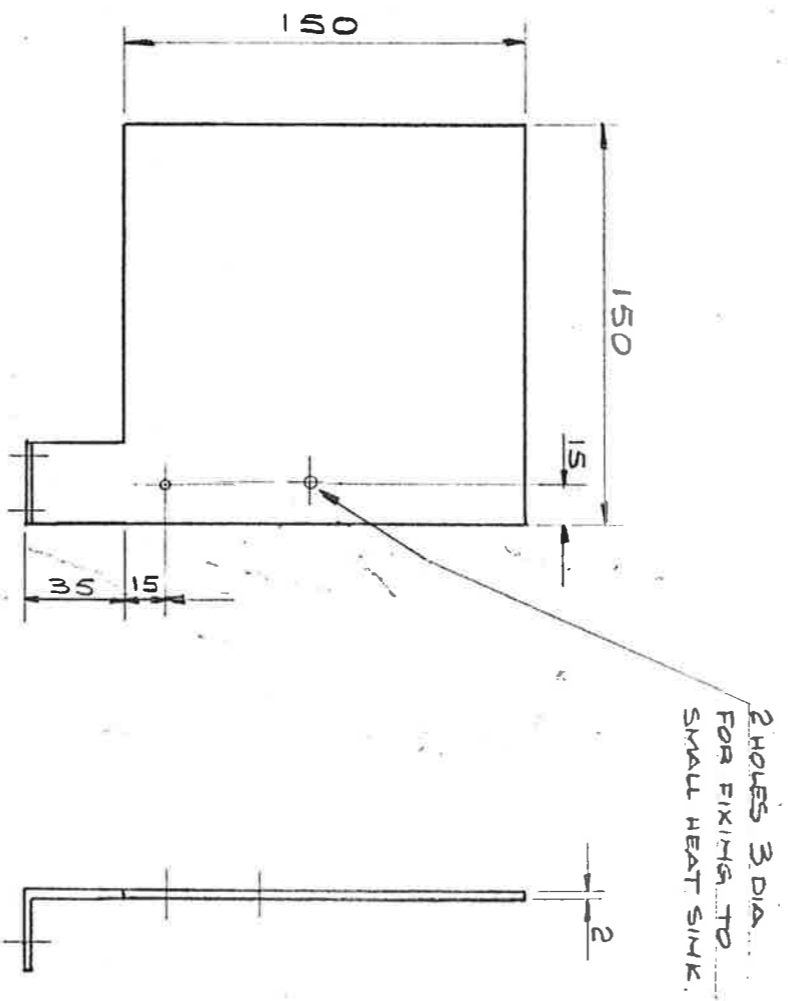
HOLES A - 4 HOLES PRE-DRILLED FOR LOCATING
 STAND-OFF PLATE TO CASE (ITEMS 2 & 1).
HOLES B - 6 HOLES PRE-DRILLED FOR LOCATING
 TRANSFORMER (ITEM 3).
HOLES C - 2 HOLES 3 DIA. FOR LOCATING HEAT SINK
 (ITEM 8).

D R Z	H B	F E B '86	MAT'L:	BRITISH RAILWAYS-SCOTTISH REGION	
			FINISH:	R.S. & T.E. GLASGOW	
A M E N D M E N T	S C A L E:	1:15	TITLE:	50V 500VA INVERTER	DWG.
			DRILLING DETAILS	OF STAND-OFF PLATE	SCR/M/226
					SHT. 2 OF 3

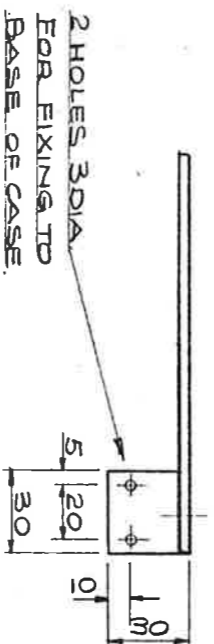


HOLES A - 4 OFF 4 DIA
 HOLES B - 4 OFF 1 DIA.
 HOLES C - 2 OFF 3 DIA.

DETAILS OF SMALL HEAT SINK
 ITEM 9 SCALE 1:1

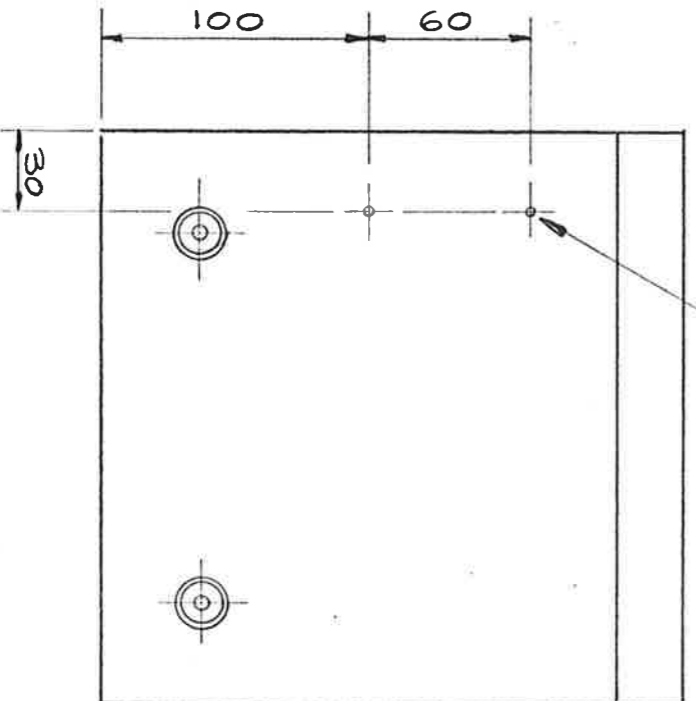


2 HOLES 3 DIA.
 FOR FIXING TO
 SMALL HEAT SINK.



2 HOLES 3 DIA
 FOR FIXING TO
 BASE OF CASE.

DETAILS OF LARGE HEAT SINK
 ITEM 8 SCALE 1:2



2 HOLES 3 DIA FOR
 SECURING TERMINAL
 BLOCK TO CASE.

END ELEVATION OF TRANSFORMER CASE

SCALE 1:2

DR	TR	CH	AMENDMENT	MAT'L.	FINISH.	SCALE.	SIZE.	DATE.	DESIGNER.	DWG. NO.	SHEET.
R N	B, B6			ALUMINIUM.		FULL	SIZE 4		BRITISH RAILWAYS - SCOTTISH REGION	SCR.M.226	3 OF 3.
									R. S. & T. E. GLASGOW.		
									TITLE		
									50/500VA INVERTER.		
									DETAILS OF		
									HEAT SINKS.		