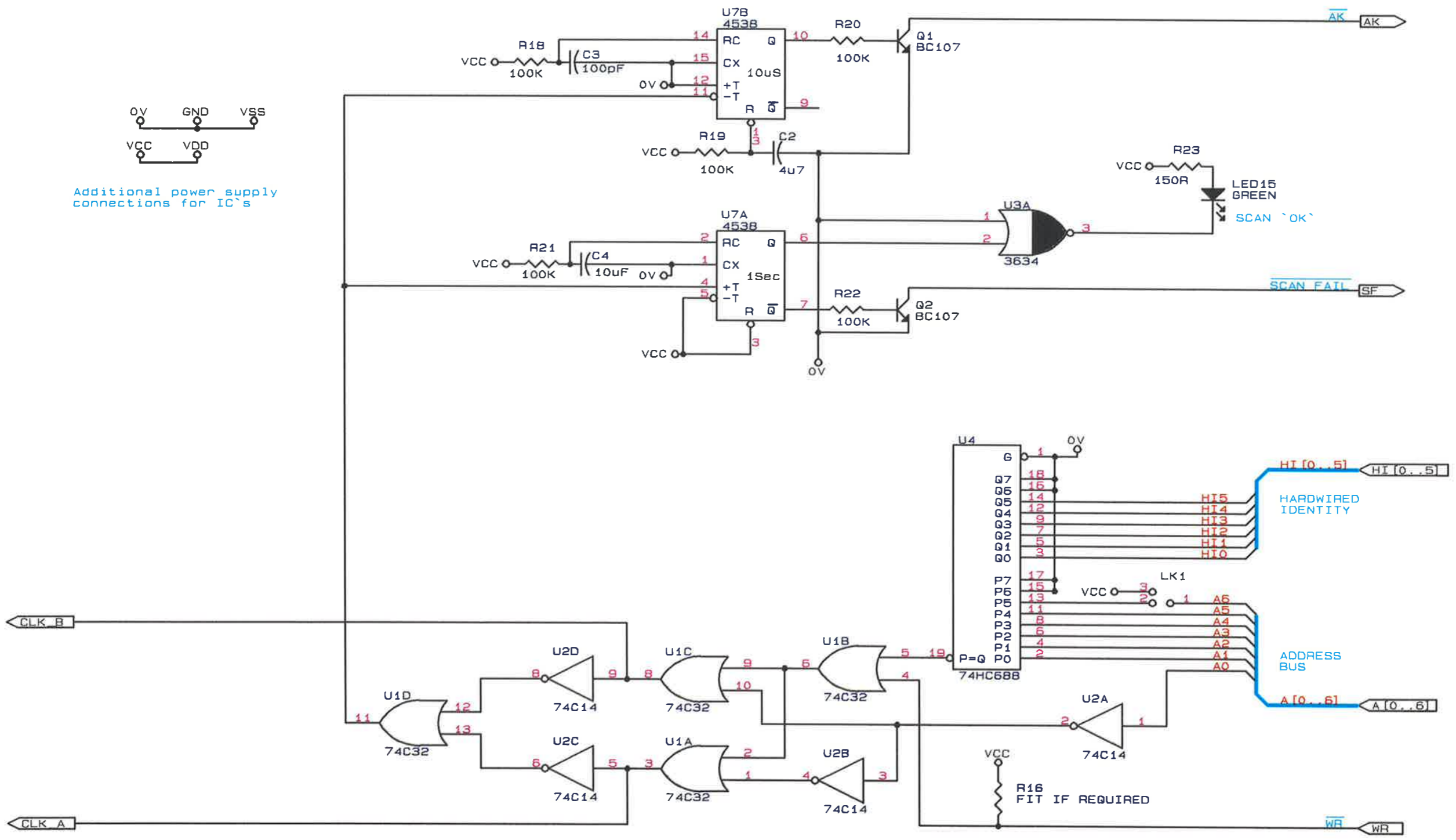


FILE N°!

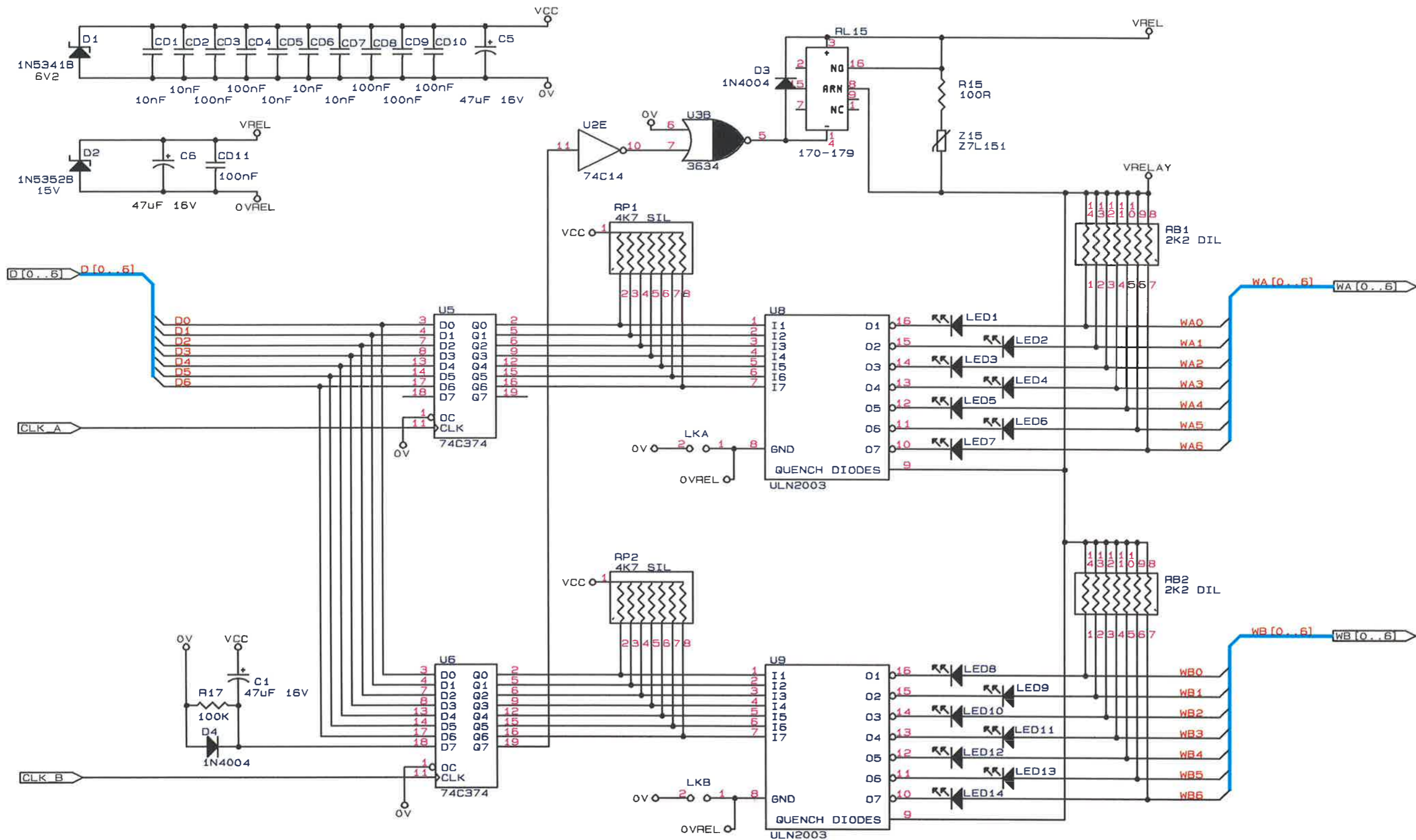
ScotRail - D of S & TE		
SYSTEMS ENGINEERING		
Title		
DEMULTIPLEXING CARD		
Size	Document Number	REV
B	82SE53	M1
Date:	June 12, 1990	Sheet 1 of 1

0V GND VSS
 VCC VDD
 Additional power supply connections for IC's



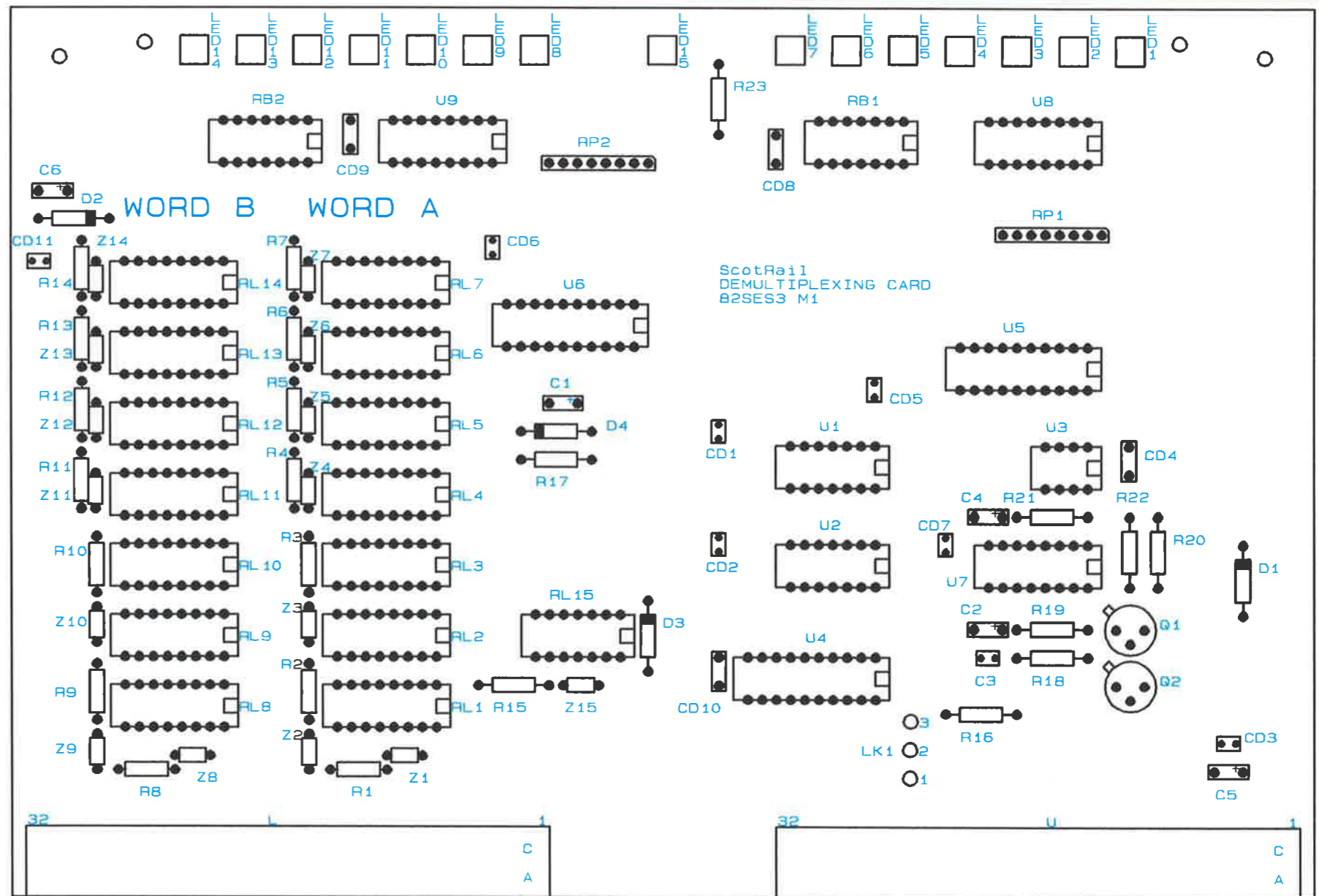
FILE N=!

ScotRail D of S & TE		
SYSTEMS ENGINEERING		
Title		
WORD SELECT CIRCUIT		
Size	Document Number	REV
B	B2GES3	M1
Date:	June 12, 1990	Sheet 2 of 4



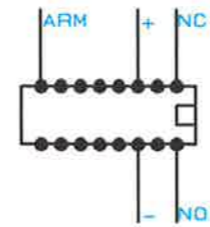
FILE NO/

ScotRail - D of S & TE		
SYSTEMS ENGINEERING		
Title		
WORD A & B		
Size	Document Number	REV
B	82SE63	M1
Date:	July 9, 1990	Sheet 3 of 4



FILE NO!

D of S & TE - SYSTEMS ENGINEERING		
Title DEMULTIPLEXING CARD OVERLAY		
Size A	Document Number B2SES3	REV M1
Date: June 12, 1990 Sheet 4 of 4		



RELAY - FARNELL 170-179

ADDITIONAL TRACKING UNDER RELAYS

VIEW FROM COMPONENT SIDE

FILE NO!

ScotRail - D of S & TE		
SYSTEMS ENGINEERING		
Title		
ADDITIONAL TRACKING UNDER RELAY		
Size	Document Number	REV
A	82SE83	Mf
Date:	June 11, 1990	Sheet 5 of 5