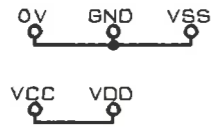


FILE N°!

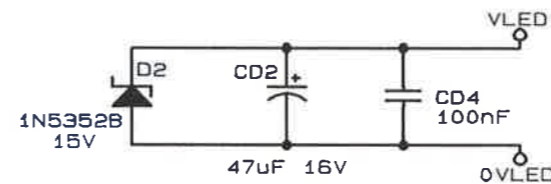
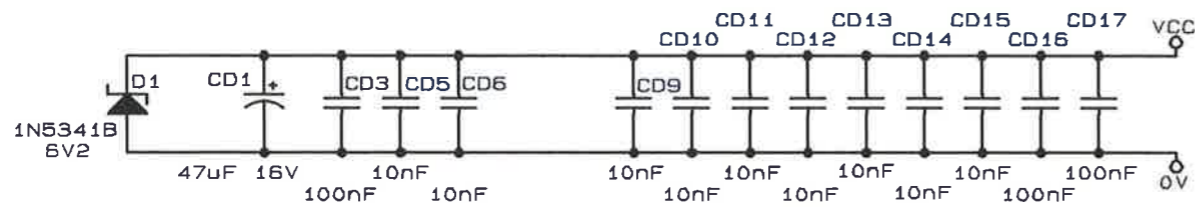
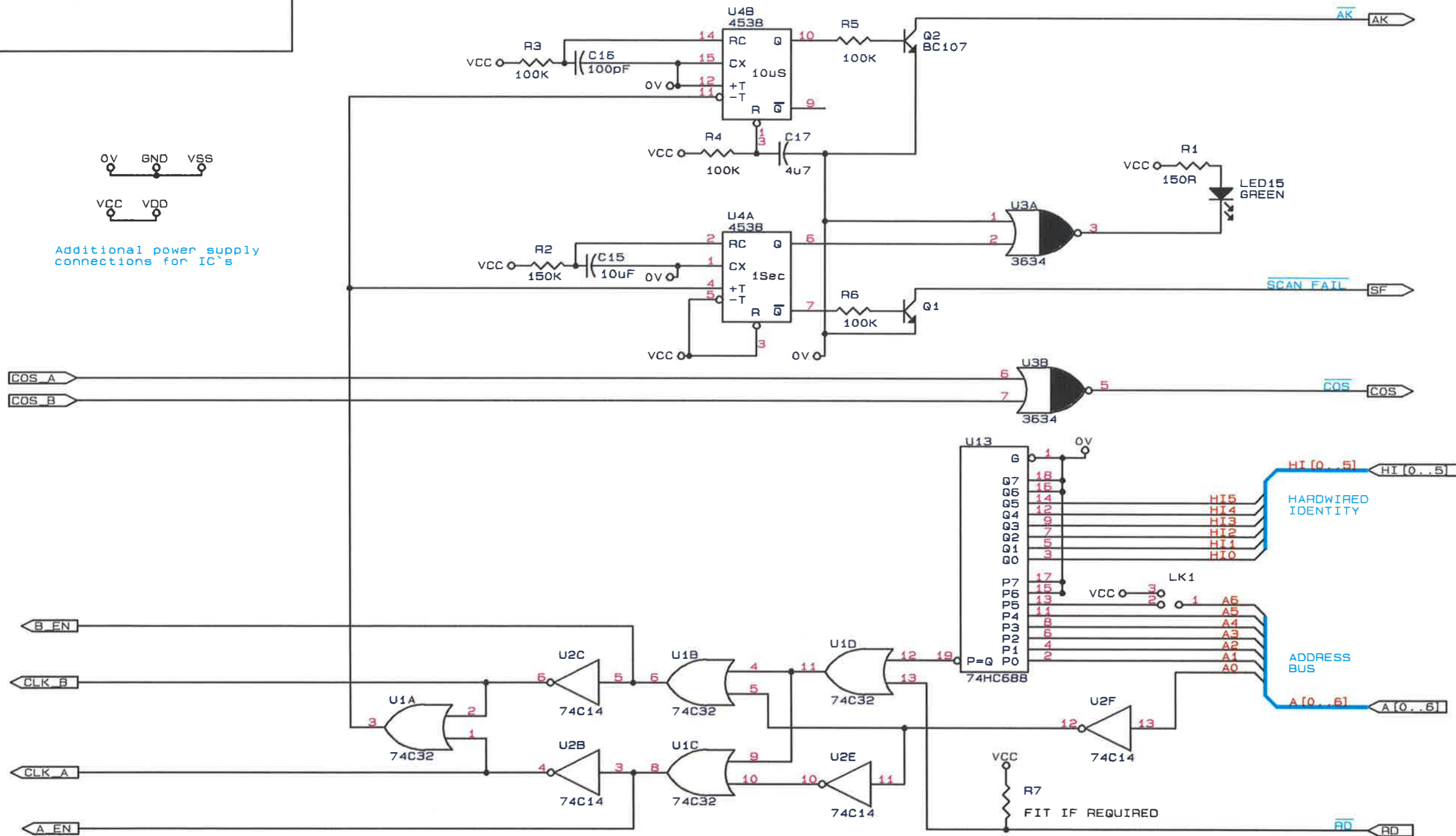
SYSTEMS ENGINEERING		
Title		
MULTIPLEXING CARD		
Size	Document Number	REV
B	82SES2	M1
Date:	June 1, 1990	Sheet 1 of 5

MODES

R2 increased to allow for a 1.5 Second Scan period 26/11/92

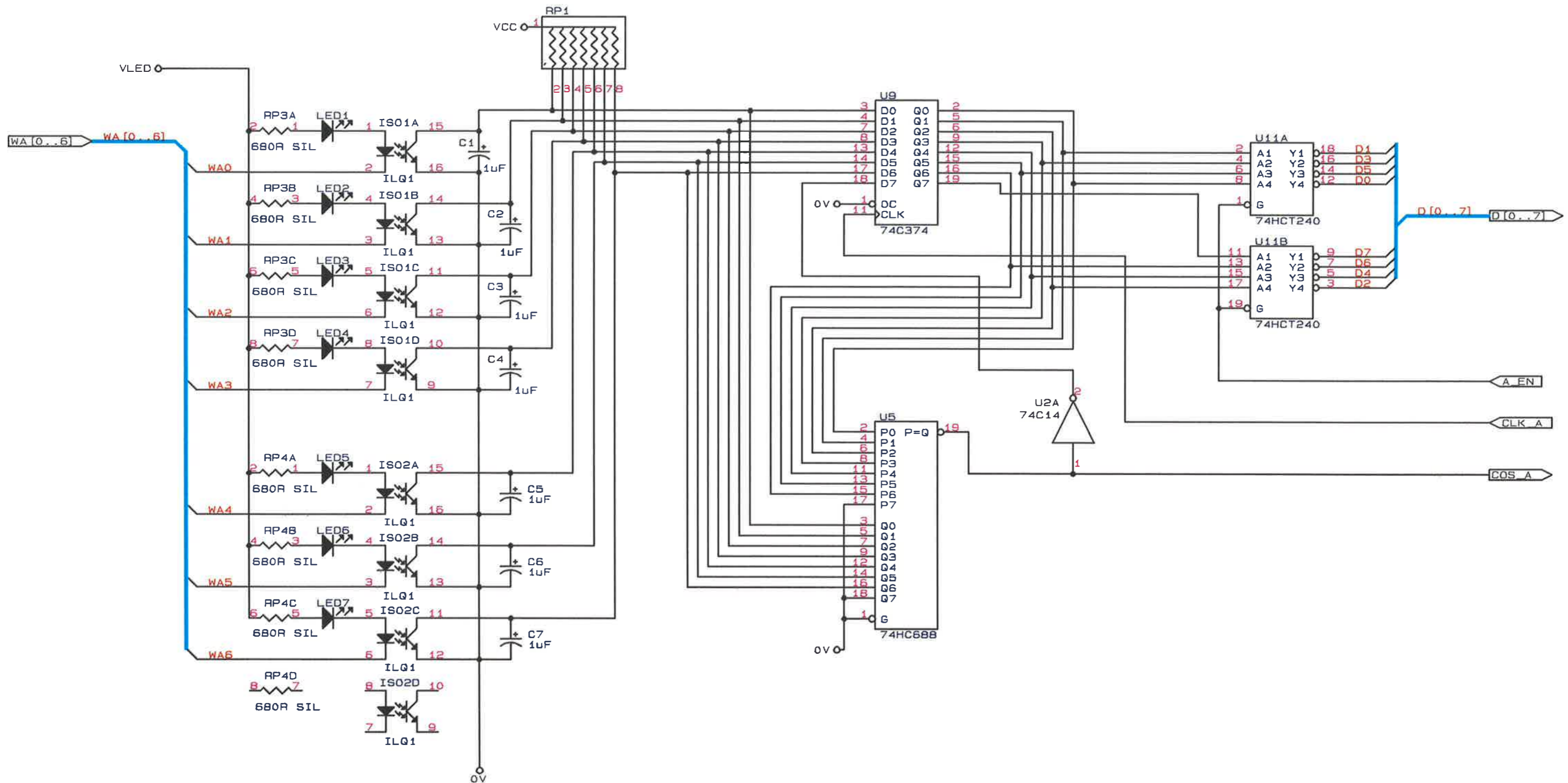


Additional power supply connections for IC's



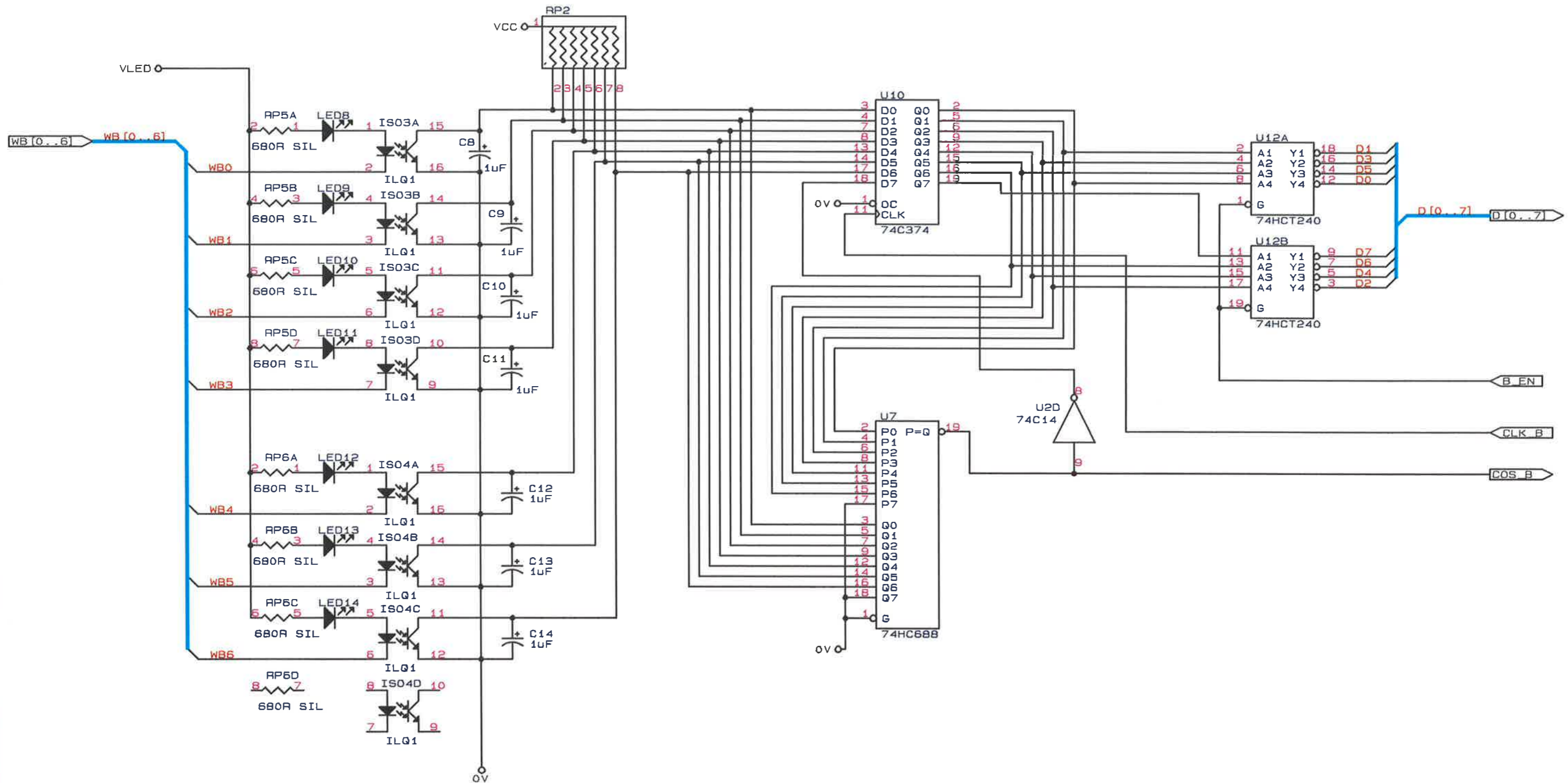
FILE No!

SYSTEMS ENGINEERING		
Title		
WORD SELECT CIRCUIT		
Size	Document Number	REV
B	82SES2	M1
Date:	November 26, 1992	Sheet 2 of 5



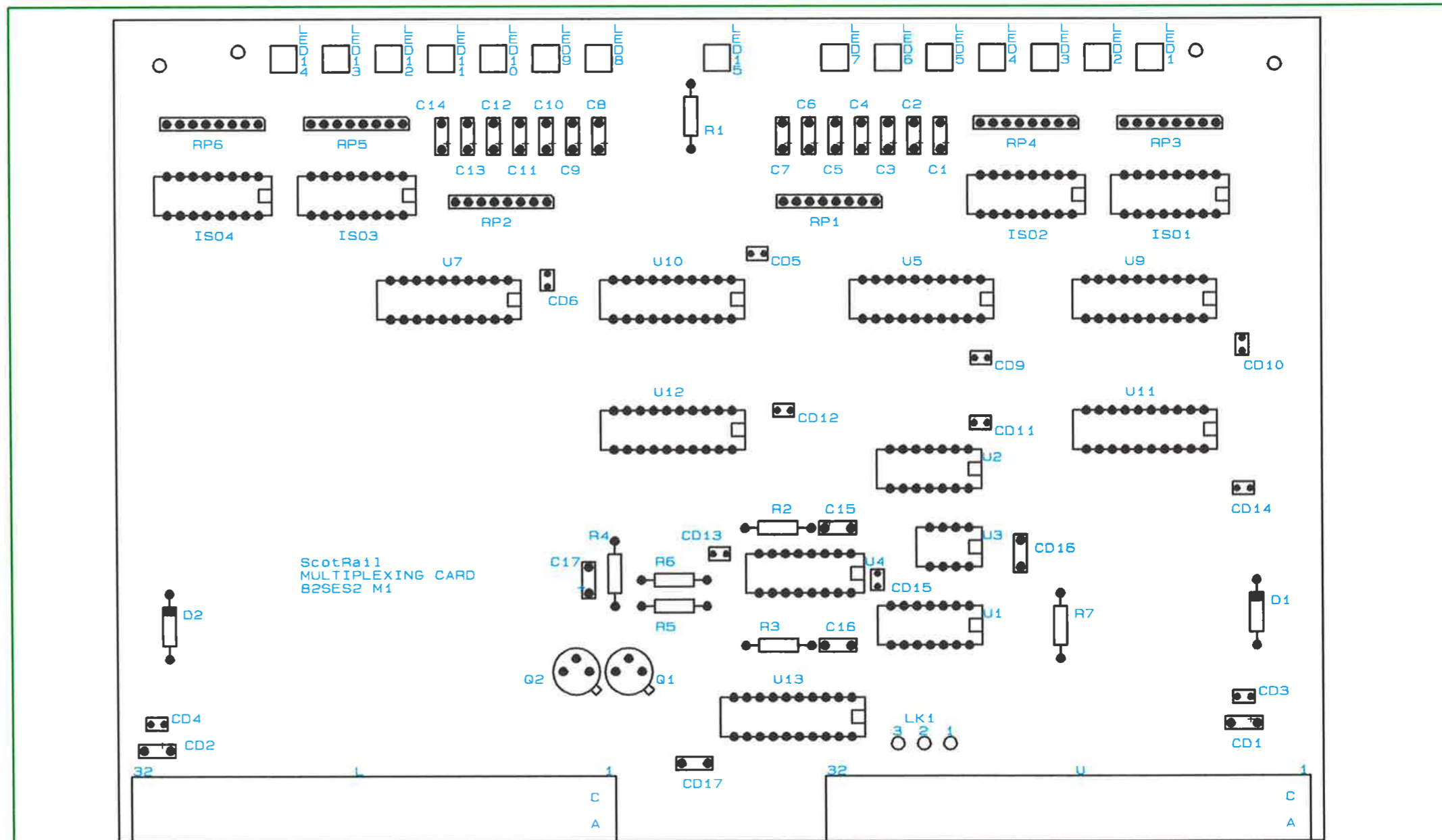
FILE No!

SYSTEMS ENGINEERING		
Title WORD A CIRCUIT		
Size	Document Number	REV
B	82SE62	M1
Date:	July 27, 1990	Sheet 3 of 5



FILE NO!

SYSTEMS ENGINEERING		
Title WORD B CIRCUIT		
Size B	Document Number 82SE62	REV M1
Date:	May 28, 1990	Sheet 4 of 5



FILE NO!

D of S & TE - SYSTEMS ENGINEERING		
Title MULTIPLEXING CARD OVERLAY		
Size A	Document Number B2SES2	REV M1
Date: May 29, 1990 Sheet 5 of 5		