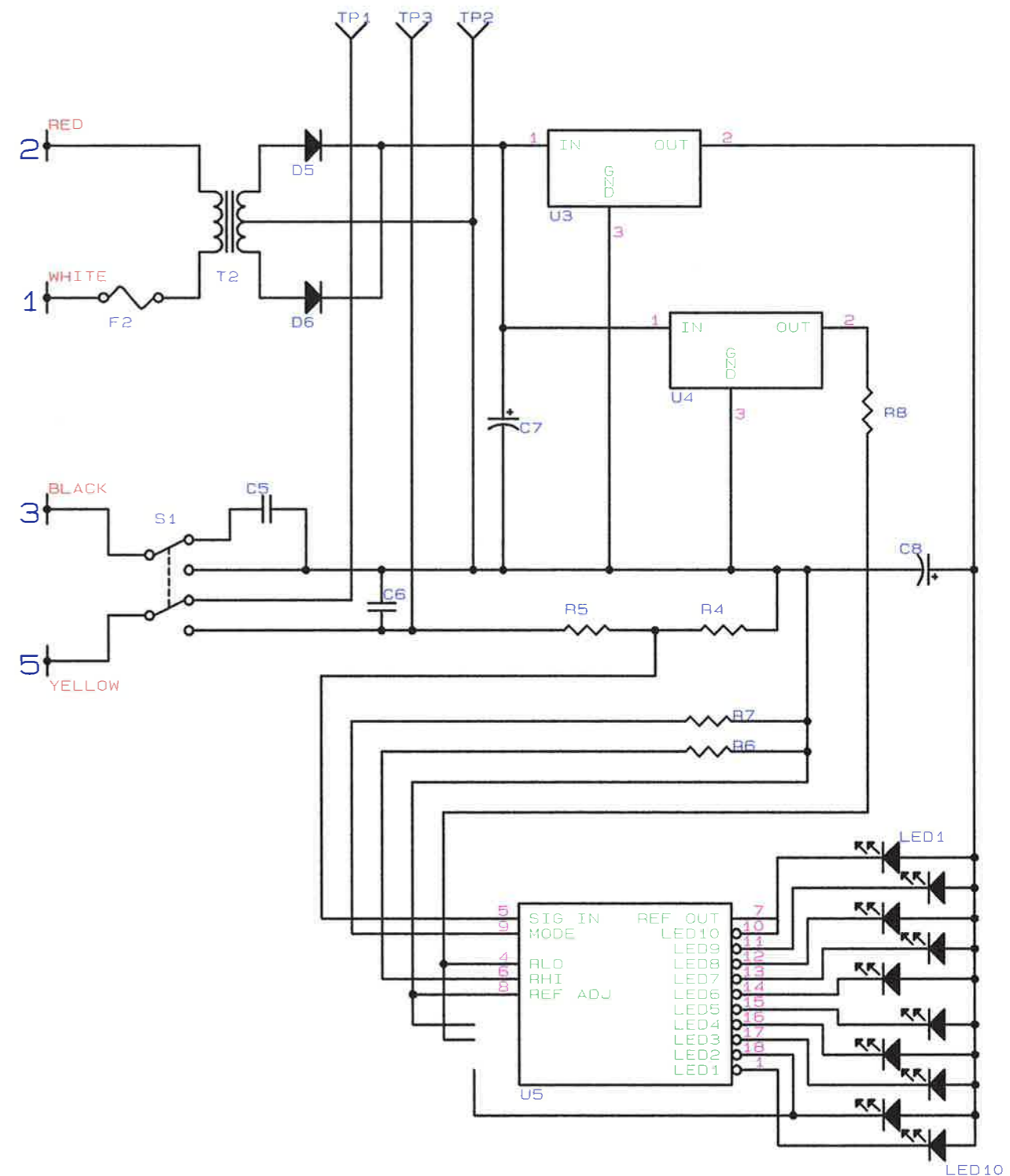


TRANSMITTER CIRCUIT

- D1 - D6 - 1N4002
- LED1 - LED10 - RS 587-125
- ZD1, ZD2 - ZENER DIODES. NOT REQUIRED FOR CCTV - '*'
- F1, F2 - 1A
- TR1 - 2N2222
- S1 - RS 316-989
- T1, T2 - RS 207-841
- VR1 (10K) - RS 186-053
- PRESET BUSH - RS 544-257
- TP1 - RS 444-624
- TP2 - RS 444-646
- TP3 - RS 444-618
- RL1 - ELLIOTT ER2MD 15004
- TRANSMITTER MODULE - VERO 37-2949B
- RECEIVER MODULE - VERO 37-2955E

- U1 - LM301
- U2, U3 - LM340T5
- U4 - LM340T15
- U5 - LM3914
- C1, C7 - 470uF, 35V
- C2, C8 - 2.2uF, 35V
- C3 - 30pF
- C4, C5, C6 - 0.1uF
- R1 - 2K7
- R2 - 1K2
- R3, R4, R5 - 100K
- R6 - 1K
- R7 - 12K
- R8 - 8K2



RECEIVER CIRCUIT

- TP1 - PHONE
- TP2 - VOLTAGE CHECK
- TP3 - GROUND

SYSTEMS ENGINEERING		
SIGNALLING PROJECTS GROUP - GLASGOW		
BUCHANAN BUILDINGS		
58 PORT DUNDAS ROAD		
GLASGOW G4 0HG		
Title SECTION FAILURE INDICATOR		
Size	Document Number	REV
B	81SES7	1
Date:	January 14, 1994	Sheet 2 of 2