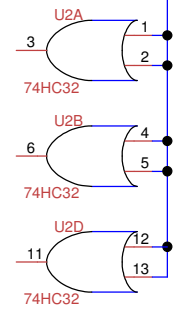
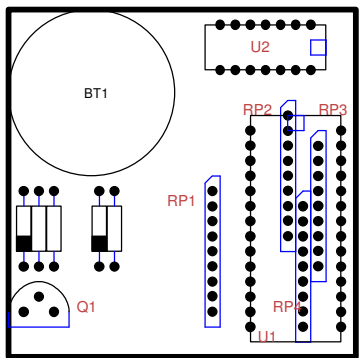


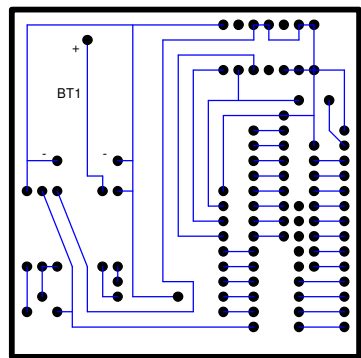
Write Protect
Made - RAM
Broken - ROM



PCB Overlay



PCB Tracking



104 holes
33 - 1mm
67 - 0.8mm
4 - 1.3mm

Pin 14 leg not in socket
Run wire from leg pin 14 to pad

Title Plus 2/6 Battery Backed RAM Module		
Author		
File _rek\Documents\Battery Backed RAM Module.dsn	Document	
Revision 2.0	Date August 1992	Sheets 1 of 1