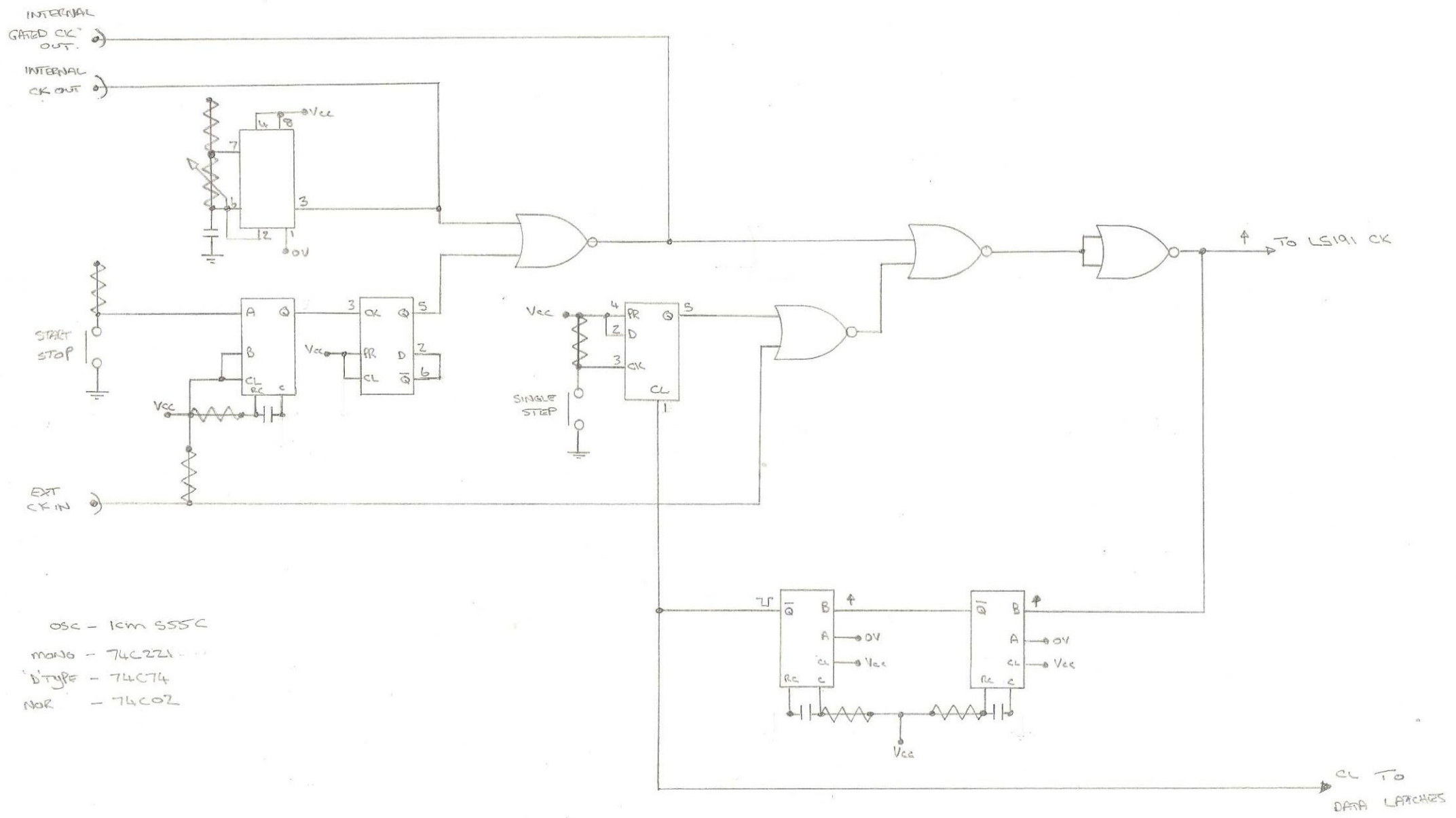


SEQUENCER MK2 (16BIT) 18/12/84



osc - 1cm 555C
 mono - 74C221
 D-type - 74C74
 NOR - 74C02