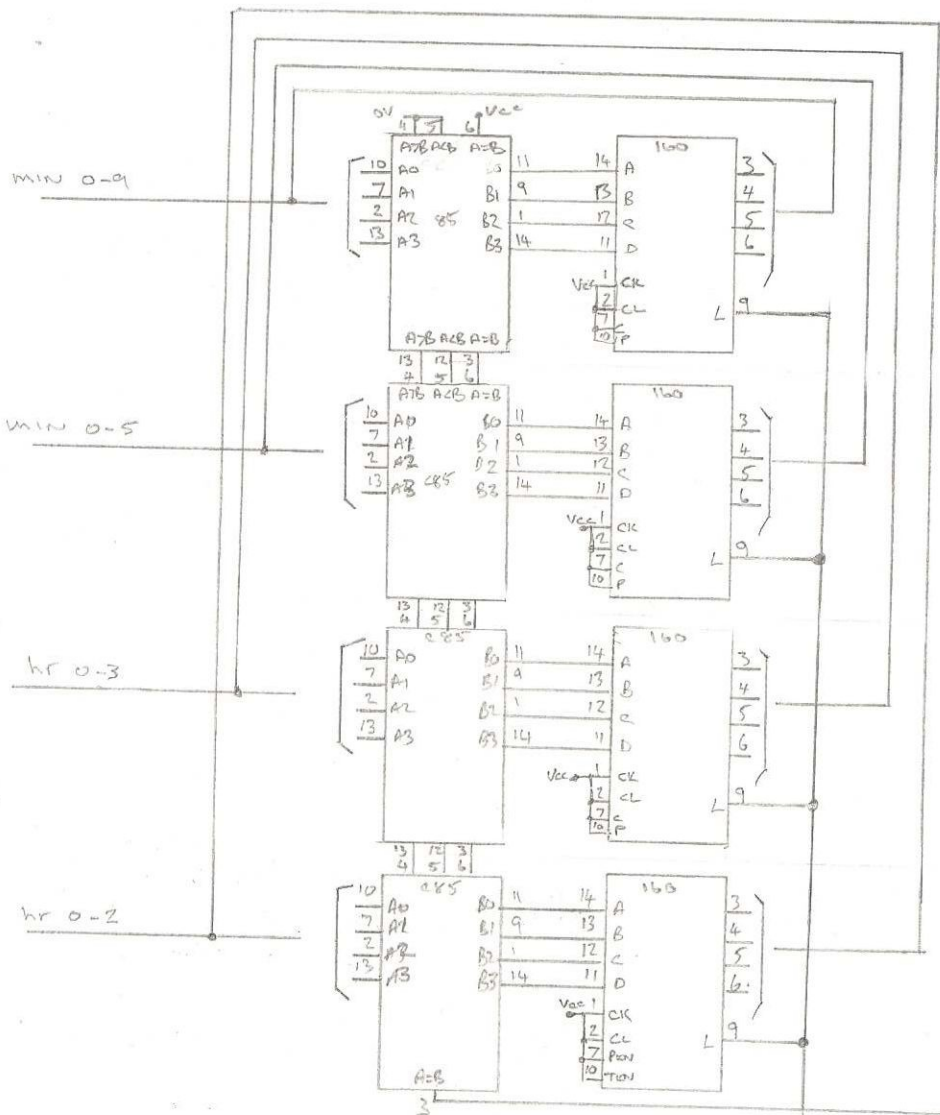


SET UP ORDER

TIME ON
TIME OFF
TIME



MIN 0-9

MIN 0-5

hr 0-3

hr 0-2

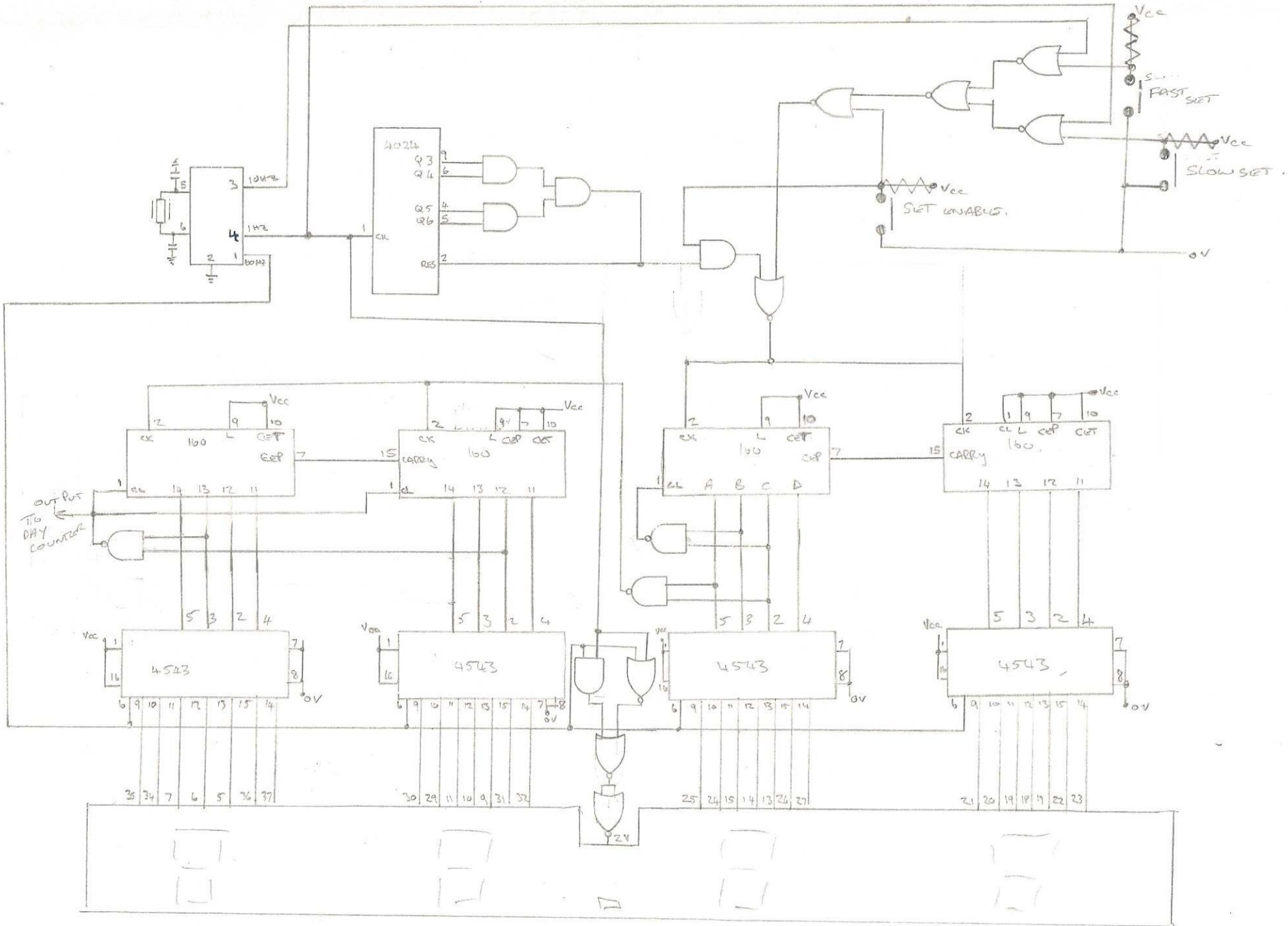
$$\begin{array}{r}
 160 \times 4 + 4 \\
 85 \times 4 + 4 \\
 4013 \times 1 \\
 \hline
 9 + 8 \\
 = 17
 \end{array}$$

$$\begin{array}{r}
 17 \\
 + 15 \\
 \hline
 32 \text{ chips}
 \end{array}$$

ALARM ON

Flow: 110011
Set for Alarm OFF

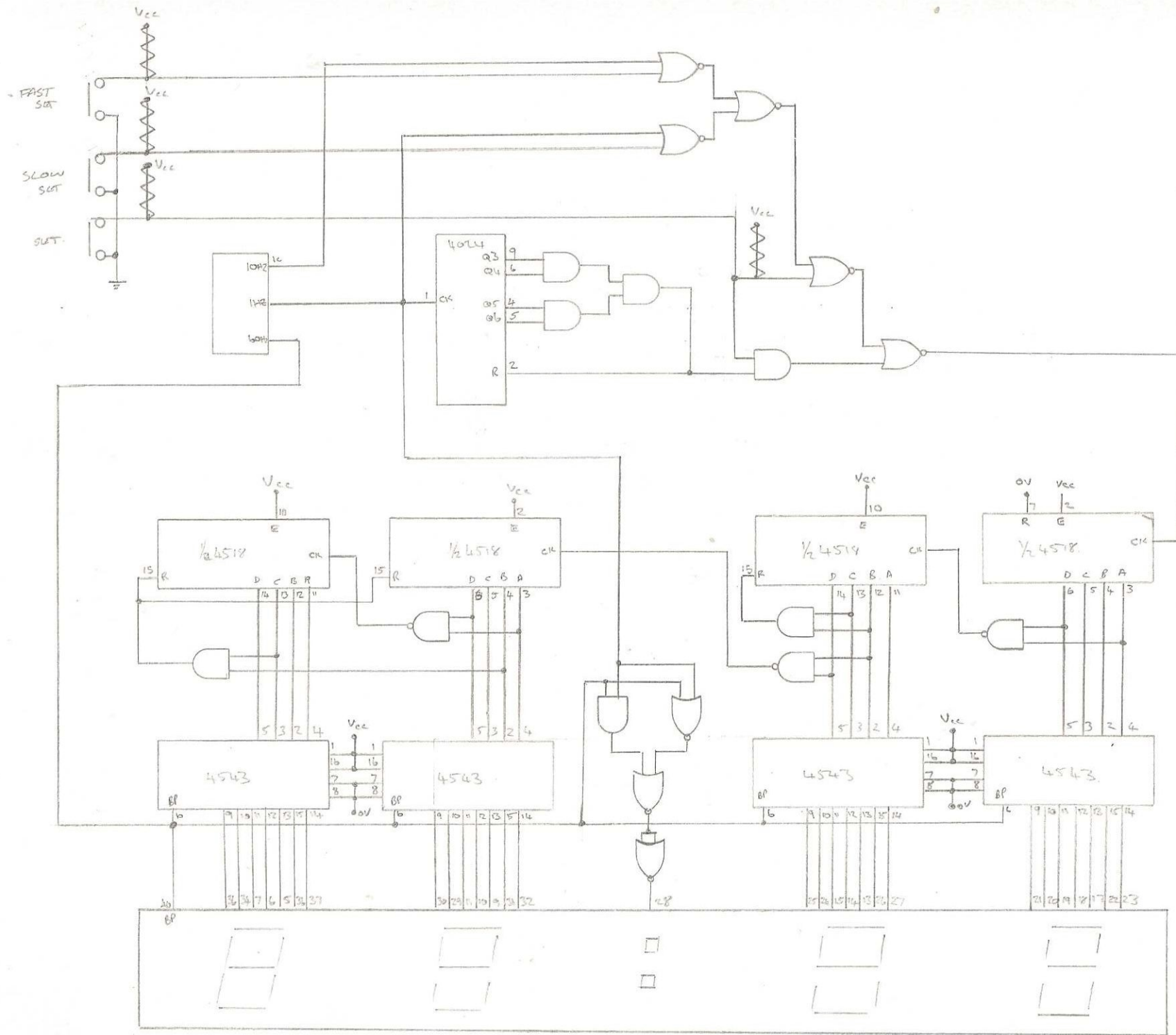
24 HOUR CLOCK



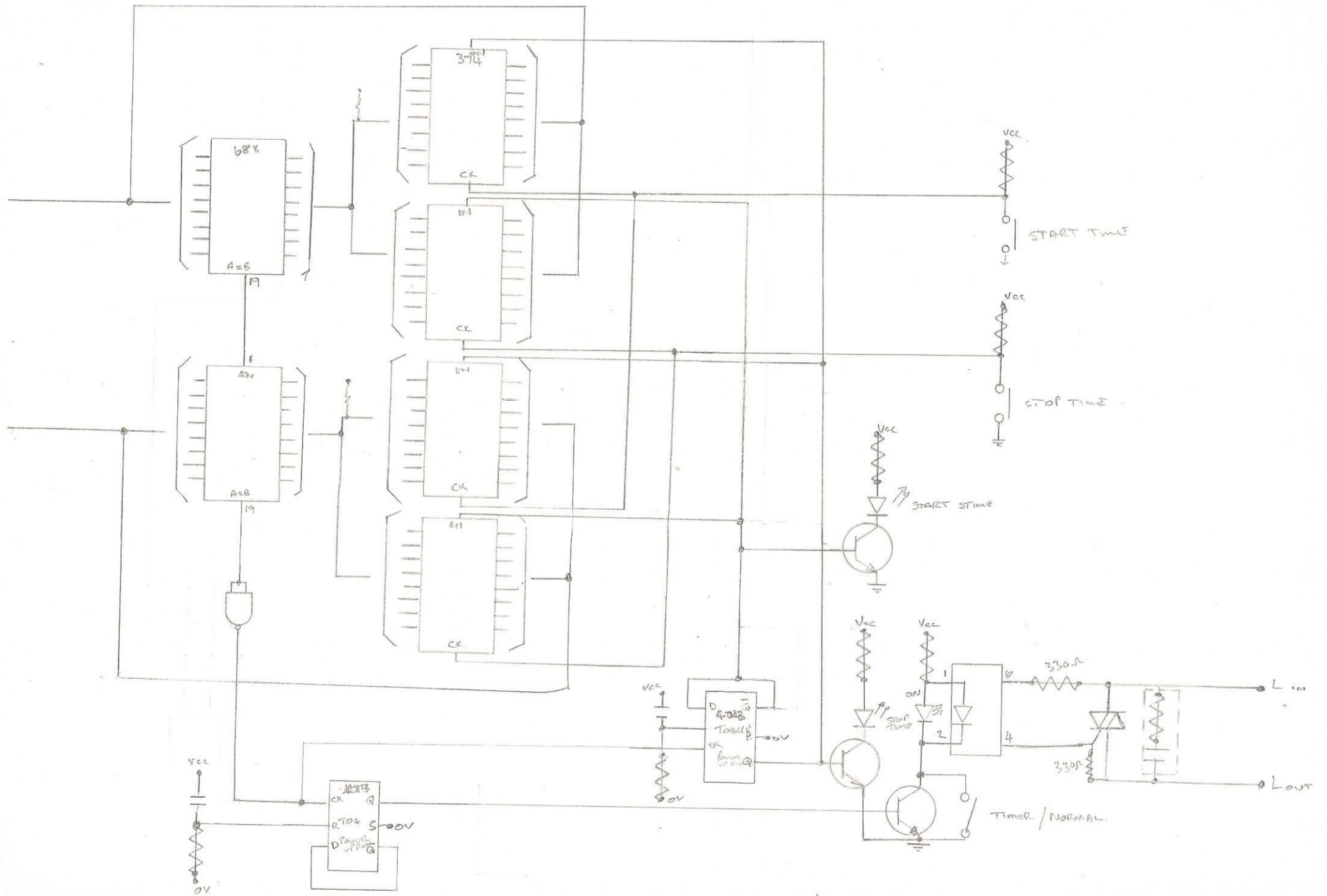
- NOR - 2
 - AND - 2
 - NAND - 1
 - 160 - 4
 - 4543 - 4
 - 4024 - 1
 - osc - 1
- 15

Static.
 6 comp. pla.
 = 13
 7
 20

24 HOUR CLOCK



24 Hour Clock mod 1



24 HOUR CLOCK MOD 1